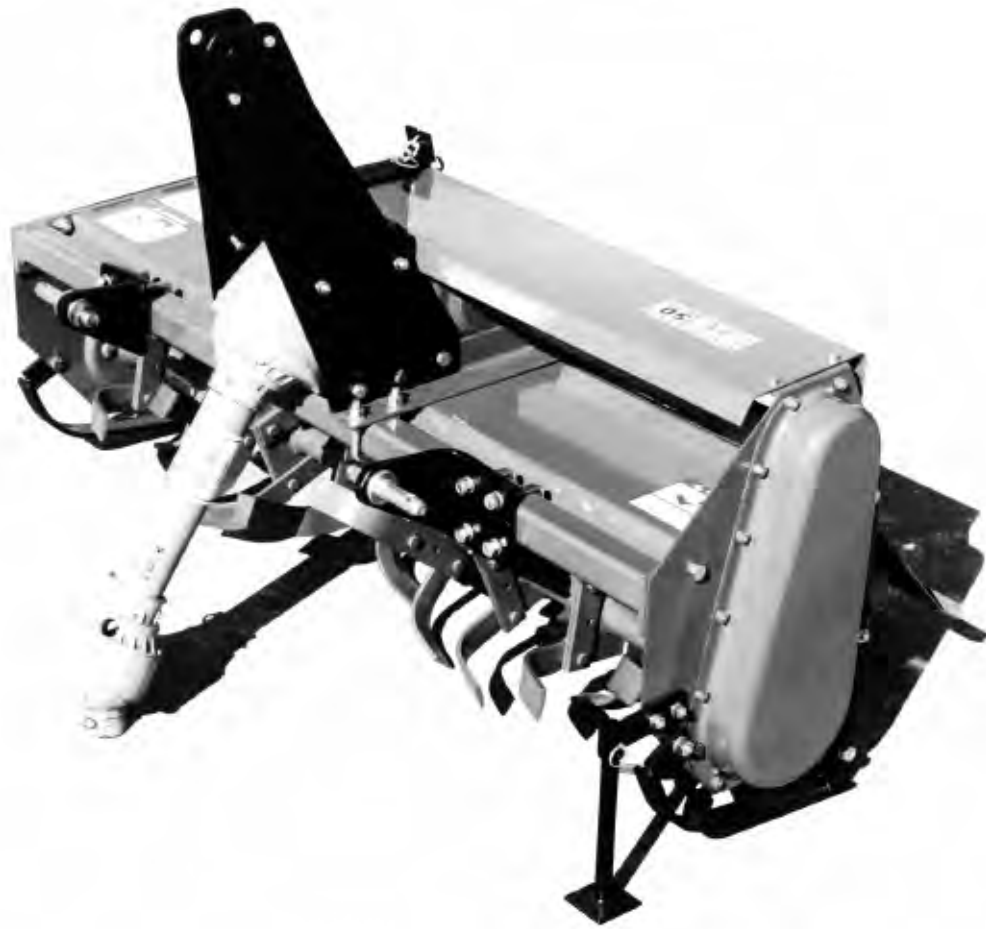


BUSH HOG[®]

MATERIAL HANDLING REPAIR PARTS MANUAL

**MODEL: ROTARY TILLER
SECTION: 13**



BUSH HOG[®]

P.O. Box 1039 • Selma, AL 36702-1039
(334) 872-6261 • (334) 874-2700
Parts Ordering 1-800-304-2836
Fax 1-800-572-1784
www.bushhog.com

ROTARY TILLER

ALPHABETICAL INDEX

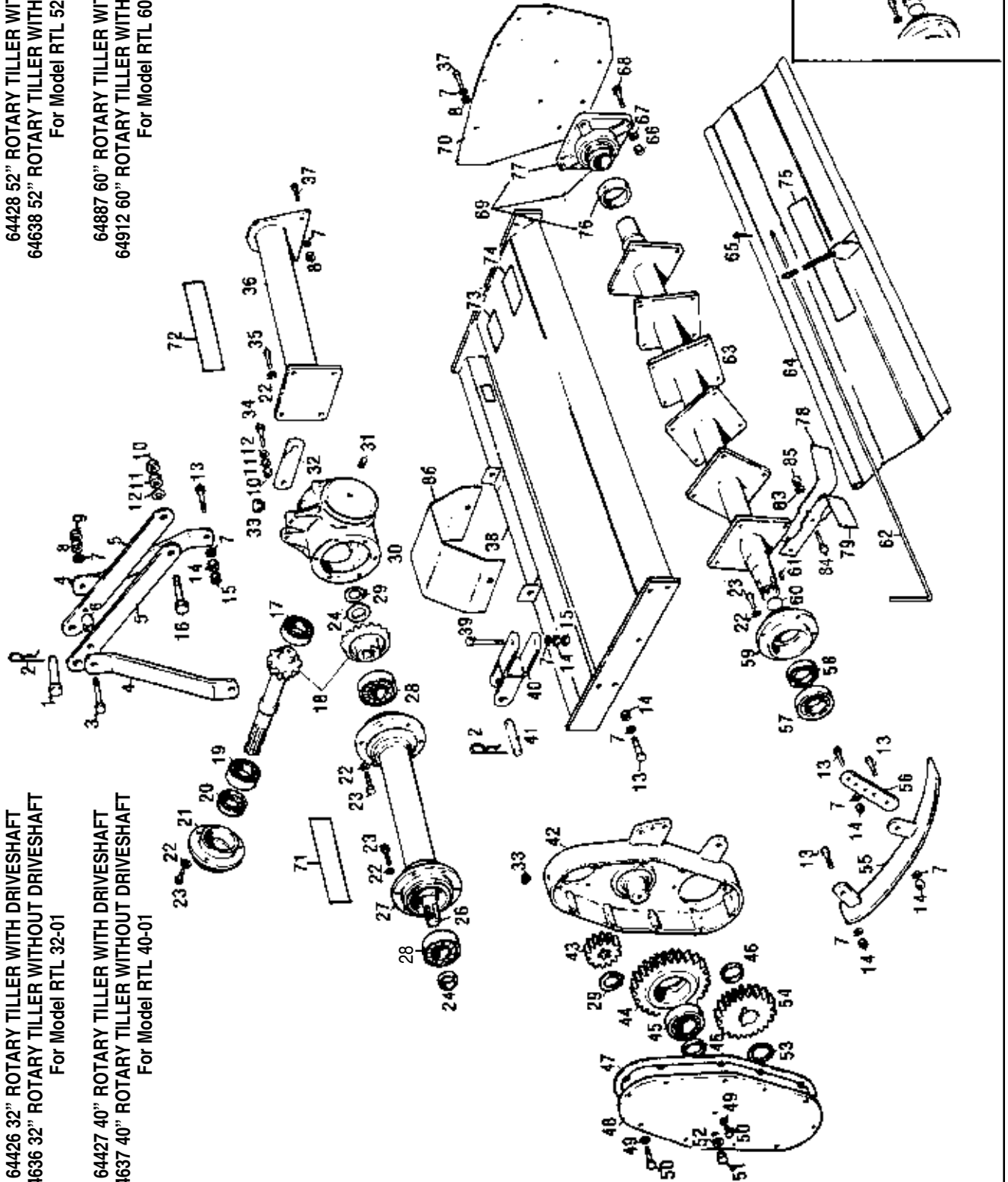
CONTENT	PAGE
Driveshaft for RTL32, RTL40, RTL52, RTL60 Rotary Tillers	13-1-4 through 13-1-6
Driveshaft for RTM60, RTM52 Rotary Tillers	13-2-3 & 13-2-4
Driveshaft for RTH60, RTH72, RTH80, RTH60-03, RTH72-03, RTH80-03, RTH88-03	13-3-5
Driveshaft for RTX80, RTX88, RTX96 Rotary Tillers	13-4-3
Driveshaft for RTS40, RTS50, RTS62, RTS74 Rotary Tillers	13-5-5 through 13-5-11
Driveshaft for RTN60, RTN72, RTN80 Rotary Tillers	13-6-5
Rotary Tiller Assembly for RTC40 & RTC48	13-7-1 – 13-7-5
Rotary Tiller Assembly for RTL32, RTL40, RTL52, RTL60	13-1-1 & 13-1-2
Rotary Tiller Assembly for RTM52-01, RTM60-01, RTM60-02	13-2-1 through 13-2-4
Rotary Tiller Assembly for RTH60, RTH72, RTH80	13-3-1 & 13-3-2
Rotary Tiller Assembly for RTH60-2, RTH72-2, RTH80-2	13-3-3 & 13-3-4
Rotary Tiller Assembly for RTH60-03, RTH72-03, RTH80-03, RTH88-03	13-3-6 through 13-3-9
Rotary Tiller Assembly for RTX80, RTX88, RTX96	13-4-1 & 13-4-2
Rotary Tiller Assembly for RTS40, RTS50, RTS62, RTS74	13-5-1 through 13-5-20
Frame Assembly RTS40, RTS50, RTS62, RTS74	13-5-1
Frame Assembly RTS40-04, RTS50-04, RTS62-04, RTS74-02	13-5-2
Hitch, Stand & Related Parts RTS40, RTS50, RTS62, RTS74	13-5-3
Hitch, Stand & Related Parts RTS40-04, RTS50-04, RTS62-04, RTS74-02	13-5-4
Driveshafts for RTS Tiller	13-5-10 through 13-5-20
Rotary Tiller Assembly for RTN60, RTN72, RTN80	13-6-1 through 13-6-5
Rotary Tiller Assembly for RTNR60, RTNR72, RTNR80	13-6-5 through 13-6-9
Support Kit	13-1-7
Torque Limiter Kit	13-1-7

64426 32" ROTARY TILLER WITH DRIVESHAFT
 64636 32" ROTARY TILLER WITHOUT DRIVESHAFT
 For Model RTL 32-01

64427 40" ROTARY TILLER WITH DRIVESHAFT
 64637 40" ROTARY TILLER WITHOUT DRIVESHAFT
 For Model RTL 40-01

64428 52" ROTARY TILLER WITH DRIVESHAFT
 64638 52" ROTARY TILLER WITHOUT DRIVESHAFT
 For Model RTL 52-01

64887 60" ROTARY TILLER WITH DRIVESHAFT
 64912 60" ROTARY TILLER WITHOUT DRIVESHAFT
 For Model RTL 60-01



64426 ROTARY TILLER WITH U-JOINT
64636 32" ROTARY TILLER WITHOUT U-JOINT
 For Model RTL32-01

64427 40" ROTARY TILLER WITH U-JOINT
64637 40" ROTARY TILLER WITHOUT U-JOINT
 For Model RTL40-01

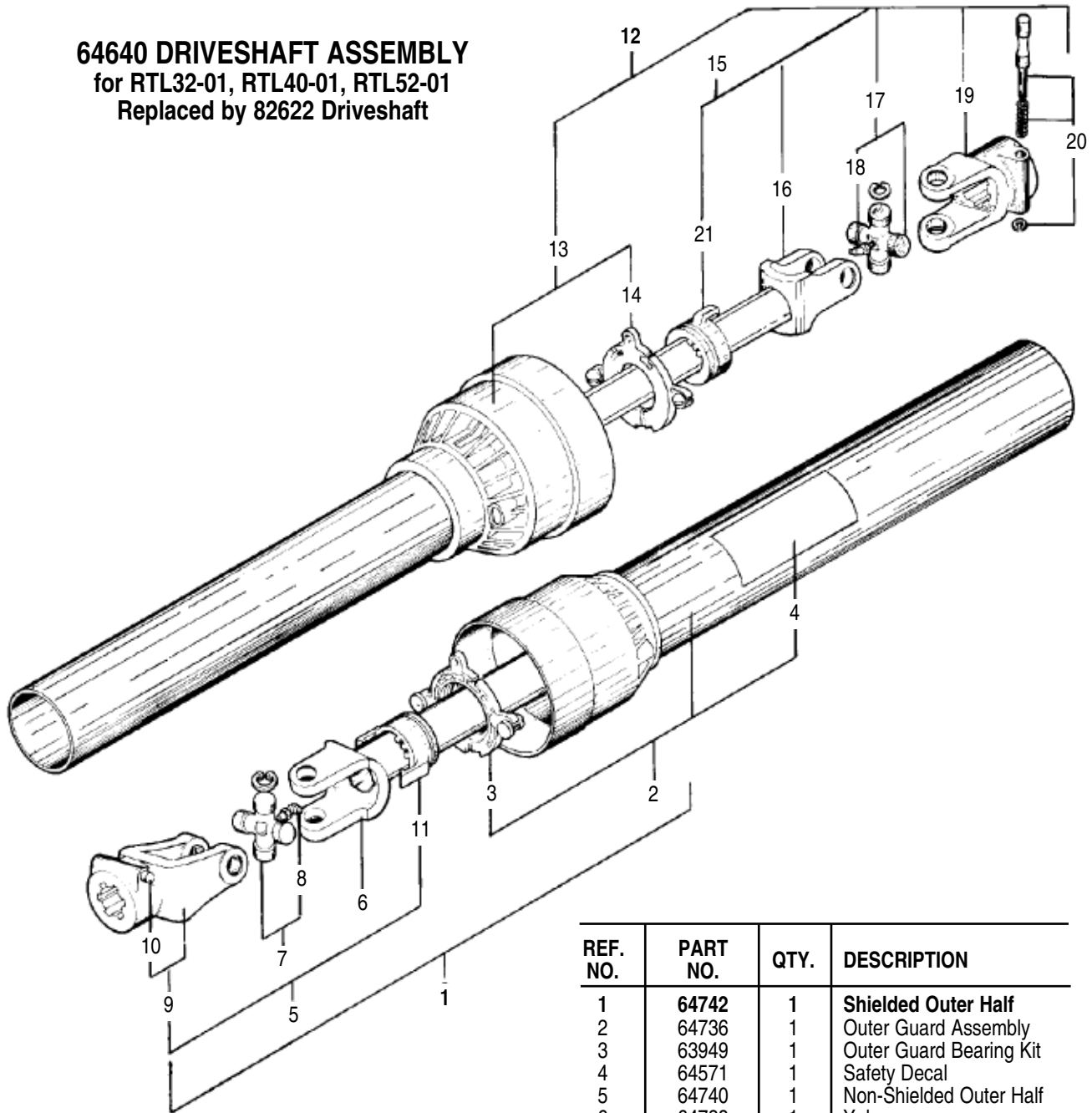
64428 52" ROTARY TILLER WITH U-JOINT
64638 52" ROTARY TILLER WITHOUT U-JOINT
 For Model RTL52-01

64887 60" ROTARY TILLER WITH U-JOINT
64912 60" ROTARY TILLER WITHOUT U-JOINT
 For Model RTL60-01

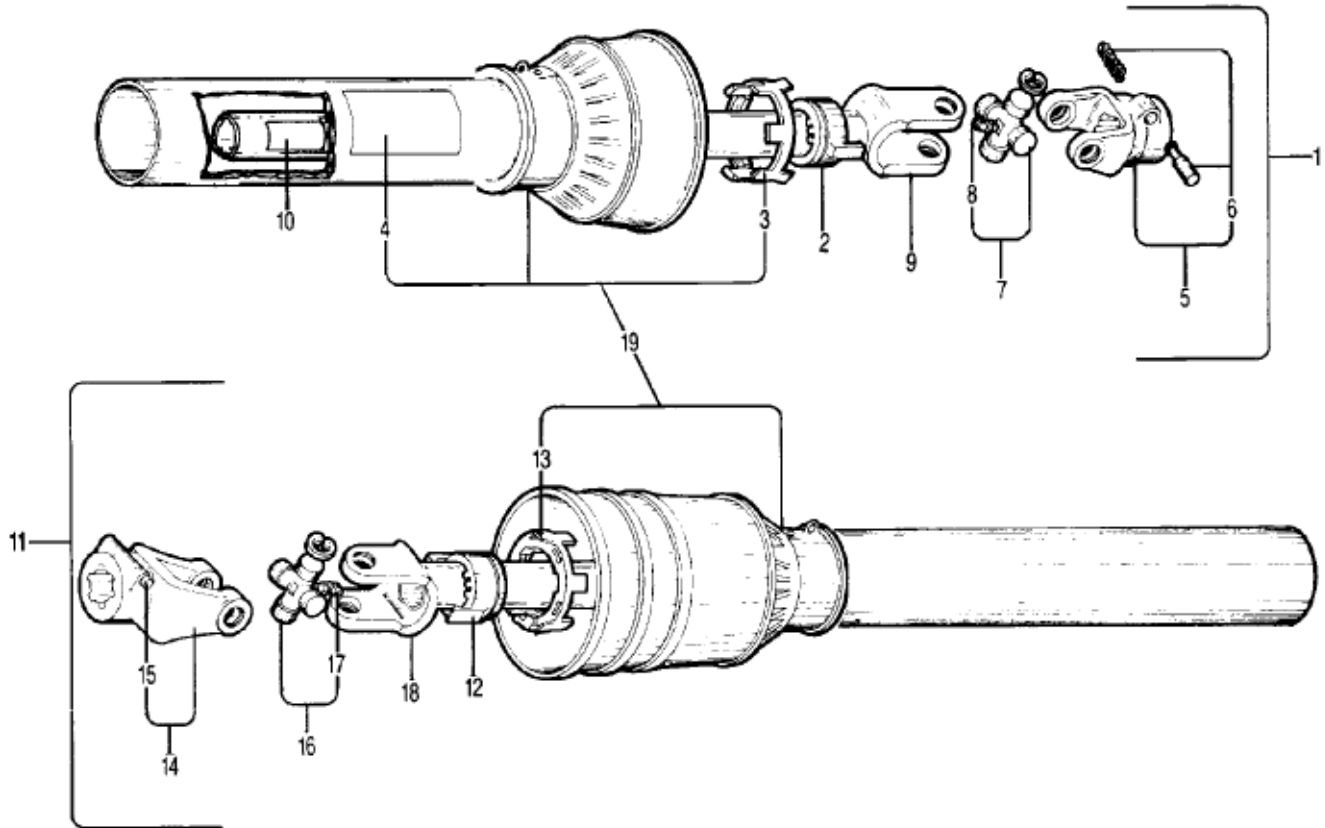
REF. NO.	PART NO.	QTY.	DESCRIPTION
1	64470	1	Pin
2	68026	5	Split Pins AR Dia. 4
3	64472	1	Screw M12 x 110 UNI 537
4	64473	2	Rods
5	64474	2	Rods
6	64475	1	Spacer
7	64476	A/R	Washer Dia. 12 UNI 1751
8	64477	6	Nuts M12 UNI 5587 (High)
9	64478	1	Nuts M12 UNI 5589 (Low)
10	64479	2	Nuts M16 UNI 5589
11	64480	2	Nuts M16 UNI 5587
12	64481	2	Washers Dia. UNI 1751
13	64482	12	Screws M12 x 35 UNI 5738
14	64483	14	Nuts M12 x 1.5 UNI 5587
15	64484	4	Nuts M12 x 1.5 UNI 5589
16	64485	1	Screw M16 x 70 UNI 5737
17	64486	1	Bearing 6307
18	64487	1	Bevel Gear / Pinion Set
19	70229	1	Bearing 6207
20	64489	1	Oil Seal 56.35.10
21	64490	1	Cap
22	64491	23	Washers Dia. 10 UNI 1751
23	64492	19	Screws 10 x 25 UNI 5739
24	64493	3	Spacers
26	81349	1	Shaft for 32" Rotary Tiller
	81351	1	Shaft for 40" Rotary Tiller
	81353	1	Shaft for 52" Rotary Tiller
	64889	1	Shaft for 60" Rotary Tiller
27	81348	1	Support for 32" Rotary Tiller
	81350	1	Support for 40" Rotary Tiller
	81352	1	Support for 52" Rotary Tiller
	64890	1	Support for 60" Rotary Tiller
28	68056	2	Bearing 6308 2RS
29	64502	3	Lock Rings 40 UNI 3653
30	64503	1	Gearbox
31	67944	1	Oil Plug 3/8" (Output)
32	64505	1	Hook
33	64506	2	Oil Plugs 3/4" (Input)
34	64507	1	Screw 16 x 60 UNI 5737
35	67994	4	Screws 10 x 20 UNI 5739
36	64509	1	Support for 32" Rotary Tiller
	64510	1	Support for 40" Rotary Tiller
	64512	1	Support for 52" Rotary Tiller
	64891	1	Support for 60" Rotary Tiller
37	67492	5	Screws 12 x 30 UNI 5739
38	64514	1	Frame for 32" Rotary Tiller
	64516	1	Frame for 40" Rotary Tiller
	64519	1	Frame for 52" Rotary Tiller
	64892	1	Frame for 60" Rotary Tiller
39	64520	2	Screws 12 x 90 UNI 5737
40	64521	2	Lower Hitches
41	64522	2	Pins
42	64523	1	Gearbox
43	64524	1	Gear

REF. NO.	PART NO.	QTY.	DESCRIPTION
44	64525	1	Gear
45	64526	1	Bearing 6310
46	64527	4	Spacers
47	64528	1	Gasket
48	64529	1	Cover
49	64530	11	Washers Dia. 8 UNI 6592
50	64531	11	Screws 8 x 20 UNI 5739
51	64532	1	Screw 12 x 16 UNI 5739
52	64533	1	Washer 12 UNI 6592
53	64534	1	Lock Ring 50 UNI 3653
54	64535	1	Gear
55	64536	2	Skids
56	64537	2	Height Adjusters
57	64538	1	Bearing 1210
58	64539	1	Oil Seal 75 x 55 x 10
59	64540	1	Housing
60	64541	1	Disc
61	64542	3	Keys 10 x 10 x 20 UNI 6604
62	65890	1	Pin for 32" Rotary Tiller
	64546	1	Pin for 40" Rotary Tiller
	64547	1	Pin for 52" Rotary Tiller
	64893	1	Pin for 60" Rotary Tiller
63	64455	1	Rotor Shaft for 32" Rotary Tiller
	64456	1	Rotor Shaft for 40" Rotary Tiller
	64457	1	Rotor Shaft for 52" Rotary Tiller
	64894	1	Rotor Shaft for 60" Rotary Tiller
64	64458	1	Rear Shield for 32" Rotary Tiller
	64459	1	Rear Shield for 40" Rotary Tiller
	64460	1	Rear Shield for 52" Rotary Tiller
	64895	1	Rear Shield for 60" Rotary Tiller
65	64461	1	Split Pin Dia. 5 x 30
66	64464	4	Nuts 14 x 1.5 UNI 5587
67	64465	4	Spring Washers Dia. 14 UNI 1751
68	64466	4	Screws 14 x 40 UNI 5738
69	82521	1	Bearing Assy.
70	64468	1	Side Frame
71	64760	1	Model Decal for 32" Rotary Tiller
	64761	1	Model Decal for 40" Rotary Tiller
	64762	1	Model Decal for 52" Rotary Tiller
	64896	1	Model Decal for 60" Rotary Tiller
72	12115	1	Bush Hog Decal
73	61857	1	Caution Decal
74	60873	1	Caution Decal
75	12119	1	Bush Hog Decal
76	65769	1	Seal
77	N/A	1	Bearing Support
78	64463	A/R	R.H. Angular Blade
79	64462	A/R	L.H. Angular Blade
80	64452	A/R	L.H. Speed Blade
81	64454	A/R	R.H. Speed Blade
83	64476	1	Washer Dia. 12 UNI 1751
84	64543	1	Screw 14 x 45 UNI 5738
85	64453	1	Nut 12 x 1.25 UNI 5587
86	66414	1	PTO Shield

64640 DRIVESHAFT ASSEMBLY
 for RTL32-01, RTL40-01, RTL52-01
 Replaced by 82622 Driveshaft



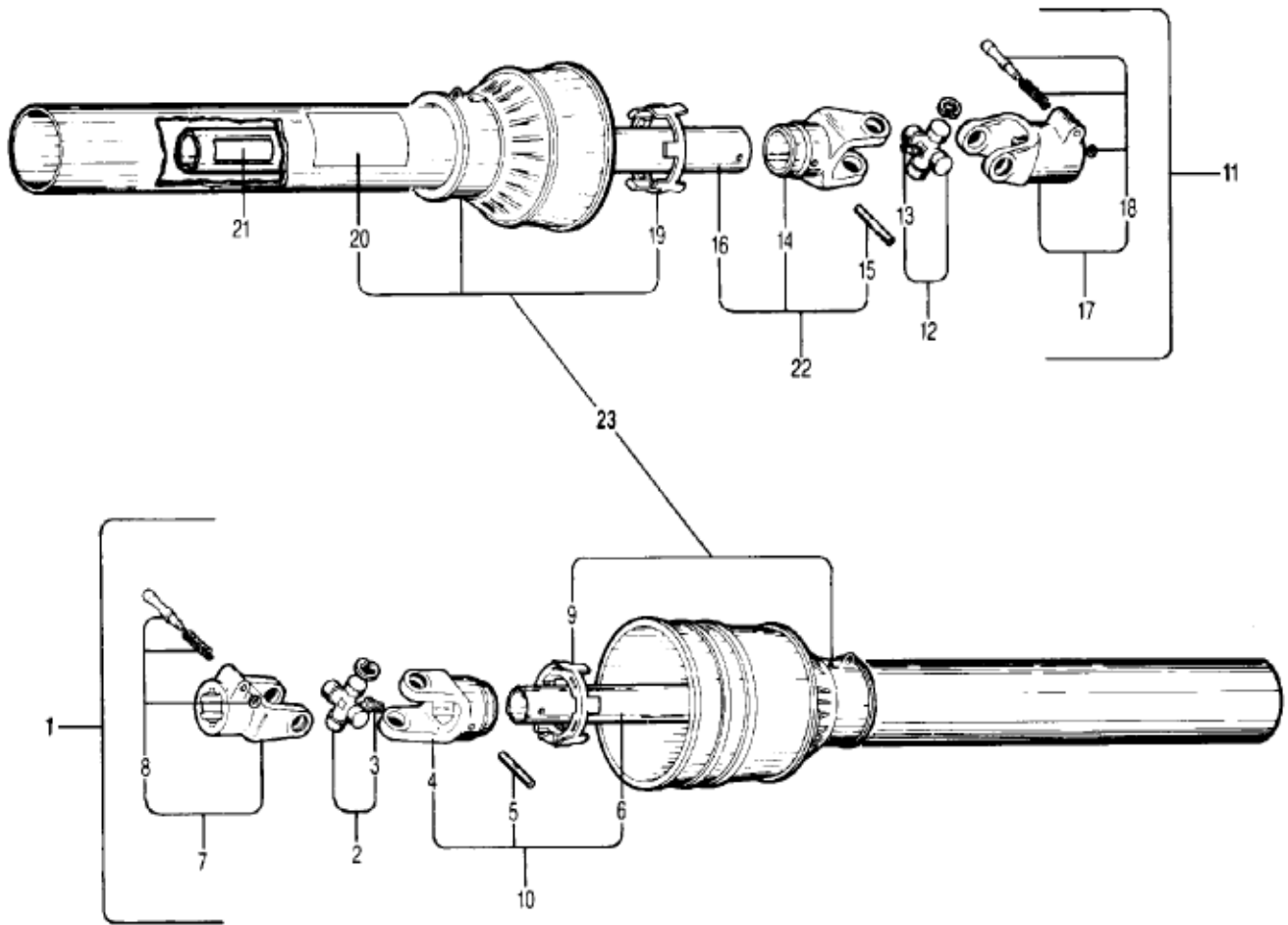
REF. NO.	PART NO.	QTY.	DESCRIPTION
1	64742	1	Shielded Outer Half
2	64736	1	Outer Guard Assembly
3	63949	1	Outer Guard Bearing Kit
4	64571	1	Safety Decal
5	64740	1	Non-Shielded Outer Half
6	64738	1	Yoke
7	64694	1	Cross & Bearing Kit
8	63956	1	Grease Fitting
9	64692	1	Q.D. Yoke Assembly
10	63945	1	Q.D. Pin Kit
11	63941	1	Ring for Outer Tube
12	64743	1	Shielded Inner Half
13	64737	1	Inner Guard Half
14	—	1	Inner Shield Bearing Kit
15	64741	1	Non-Shielded Inner Half
16	64739	1	Yoke
17	64694	1	Cross & Bearing Kit
18	63956	1	Grease Fitting
19	64692	1	Q.D. Yoke Assembly
20	63945	1	Q.D. Pin Kit
21	—	1	Ring for Inner Half



66165 DRIVESHAFT ASSEMBLY
 Used on: All Models RTL32, RTL40, RTL52, RTL60
 Replaced by 82622 Driveshaft Assembly

REF. NO.	PART NO.	QTY.	DESCRIPTION
1	82782	1	Shielded Outer Half
2	63941	1	Ring for Outer Tube
3	66120	1	Outer Guard Collar Sleeve
4	64571	1	Safety Decal
5	64692	1	Q.D. Yoke Assembly
6	63945	1	Q.D. Pin Kit
7	64694	1	Cross & Bearing Kit
8	63956	1	Grease Fitting
9	*	1	Yoke with Outer Tube
10	78786	1	Danger Decal
11	82783	1	Shielded Inner Half
12	—	1	Ring for Inner Half
13	66117	1	Inner Guard Collar Sleeve
14	64692	1	Q.D. Yoke Assembly
15	63945	1	Q.D. Pin Kit
16	64694	1	Cross Bearing Kit
17	63956	1	Grease Fitting
18	*	1	Yoke w/ Inner Tube
19	66911	1	Safety Guard

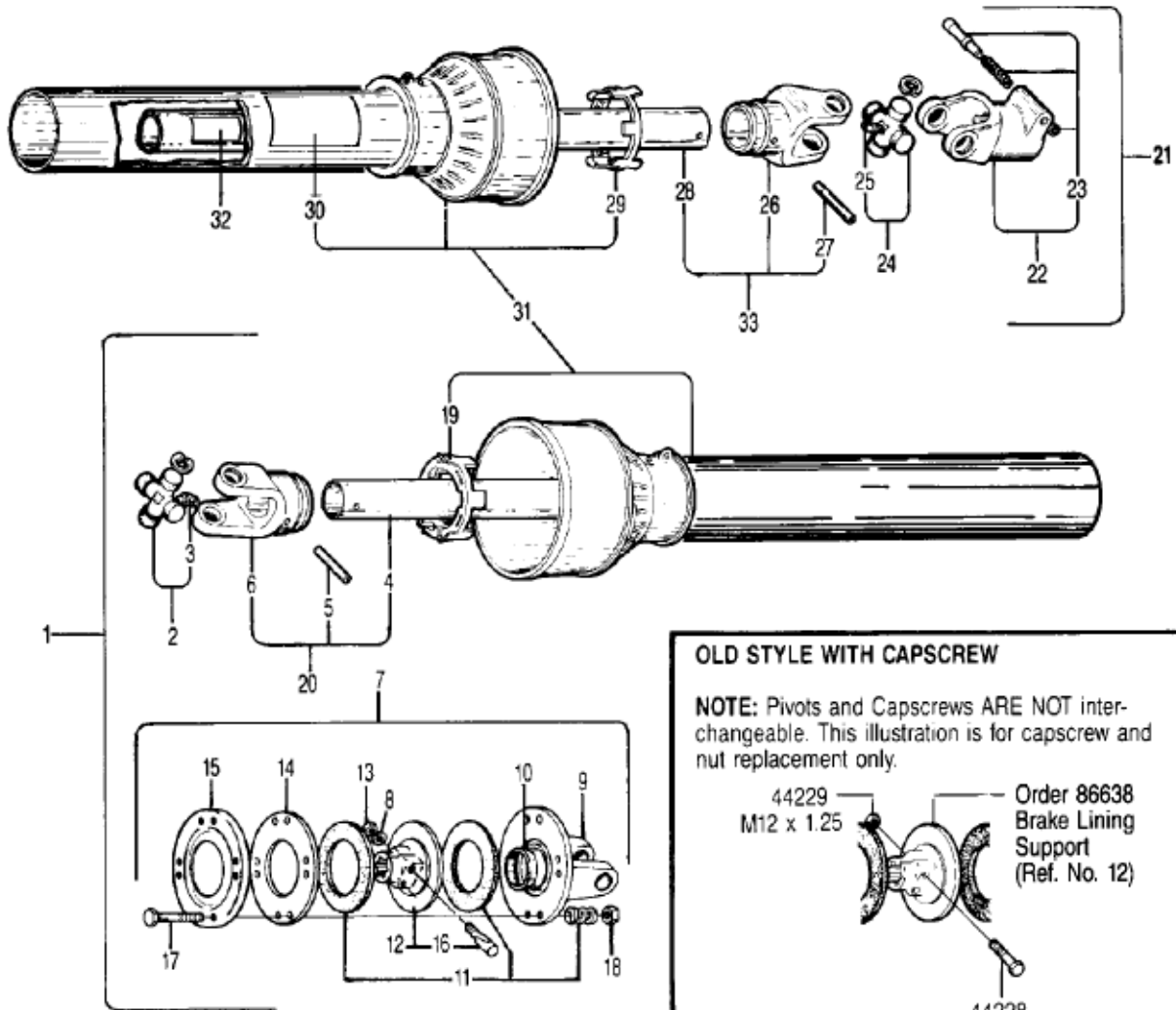
* Order complete half.



82622 DRIVESHAFT ASSEMBLY

REF. NO.	PART NO.	QTY.	DESCRIPTION
1	82783	1	Shielded Inner Half
2	64694	1	Cross Bearing Kit
3	63956	1	Grease Fitting
4	78570	1	Yoke for Inner Tube
5	78578	1	Roll Pin
6	82779	1	Inner Tube
7	64692	1	Q.D. Yoke Assembly
8	63945	1	Q.D. Pin Kit
9	66117	1	Inner Guard Collar
10	—	1	Inner Yoke & Tube

REF. NO.	PART NO.	QTY.	DESCRIPTION
11	82782	1	Shielded Outer Half
12	64694	1	Cross Bearing Kit
13	63956	1	Grease Fitting
14	78571	1	Yoke for Outer Tube
15	78577	1	Roll Pin
16	82778	1	Outer Tube
17	64692	1	Q.D. Yoke Assembly
18	63945	1	Q.D. Pin Kit
19	66120	1	Outer Guard Collar
20	64571	1	Danger Decal
21	78786	1	Danger Decal
22	—	1	Outer Yoke & Tube
23	82784	1	Safety Guard Assembly



86613 DRIVESHAFT ASSEMBLY
 For RTL Rotary Tiller Models:
 RTL32-02, RTL40-02, RTL52-02, RTL60-02
 Replaces 82623 Driveshaft Assembly

OLD STYLE WITH CAPSCREW

NOTE: Pivots and Capscrews ARE NOT interchangeable. This illustration is for capscrew and nut replacement only.

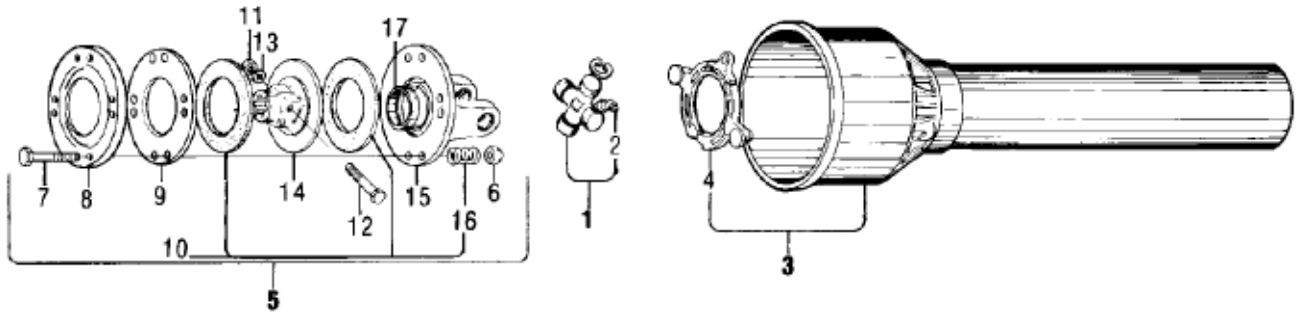
44229 M12 x 1.25

Order 86638 Brake Lining Support (Ref. No. 12)

44228 (M12 x 1.25 x 70)

REF. NO.	PART NO.	QTY.	DESCRIPTION
1	86645	1	Shielded Inner Half
2	64694	1	Cross Bearing Kit
3	63956	1	Grease Fitting
4	82792	1	Inner Tube
5	78578	1	Flexible Pin
6	78570	1	Yoke for Inner Tube
7	86667	1	Torque Limiter Assembly
8	44200	1	Lockwasher M12
9	68969	1	Flange Yoke
10	64828	1	Collar Bushing
11	67303	1	Lining Kit
12	86638	1	Brake Lining Support w/ Pivot
13	44244	1	Hex Nut M12 x 1.75
14	64650	1	Inner Plate
15	64649	1	Pressure Plate
16	83060	1	Pivot Assy. w/ Nut & Washer
17	44155	8	Capscrew M10 x 1.5 x 85

REF. NO.	PART NO.	QTY.	DESCRIPTION
18	44154	8	Locknut M10 x 1.5
19	66117	1	Inner Shield Bearing
20	—	1	Yoke & Tube, Inner
21	82795	1	Shielded Outer Half
22	64692	1	Q.D. Yoke Assembly
23	63945	1	Q.D. Pin Kit
24	64694	1	Cross Bearing Kit
25	63956	1	Grease Fitting
26	78571	1	Yoke for Outer Tube
27	78577	1	Flexible Pin
28	82791	1	Outer Tube
29	66120	1	Outer Shield Bearing
30	78608	1	Safety Decal
31	82797	1	Safety Shield Assembly
32	78786	1	Danger Decal
33	—	1	Yoke & Tube, Outer

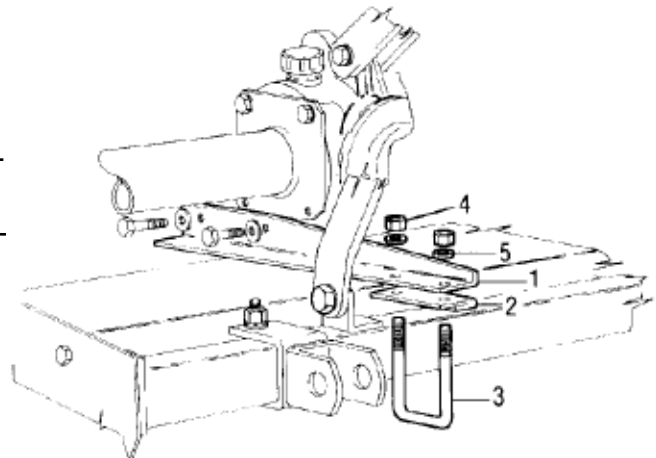


65461 TORQUE LIMITER KIT
 For Models RT32, RTL32, RT40,
 RTL40, RT52, RTL52, RT60, RTL60

REF. NO.	PART NO.	QTY.	DESCRIPTION
1	64694	1	Cross Bearing Kit
2	63956	1	Grease Fitting
3	68690	1	Inner Guard Assembly
4	—	1	Inner Shield Bearing
5	68682	1	Torque Limiter Assembly (FFI)
6	44154	8	Hex Nut M10 x 1.5
7	44155	8	Bolt M10 x 1.5 x 85 Gr.8.8
8	64649	1	Pressure Plate
9	64650	1	Inner Plate
10	67303	2	Lining Kit
11	44244	1	Nut M12 x 1.75
12	44157	1	Bolt M12 x 1.75 x 70 Gr.8.8
13	—	1	Washer 1/2"
14	65456	1	Brake Support Lining
15	65455	1	Flanged Yoke
16	64657	8	Spring
17	64828	1	Collar

65467 SUPPORT KIT
 For Models RT32, RTL32, RT40,
 RTL40, RT52, RTL52, RT60, RTL60

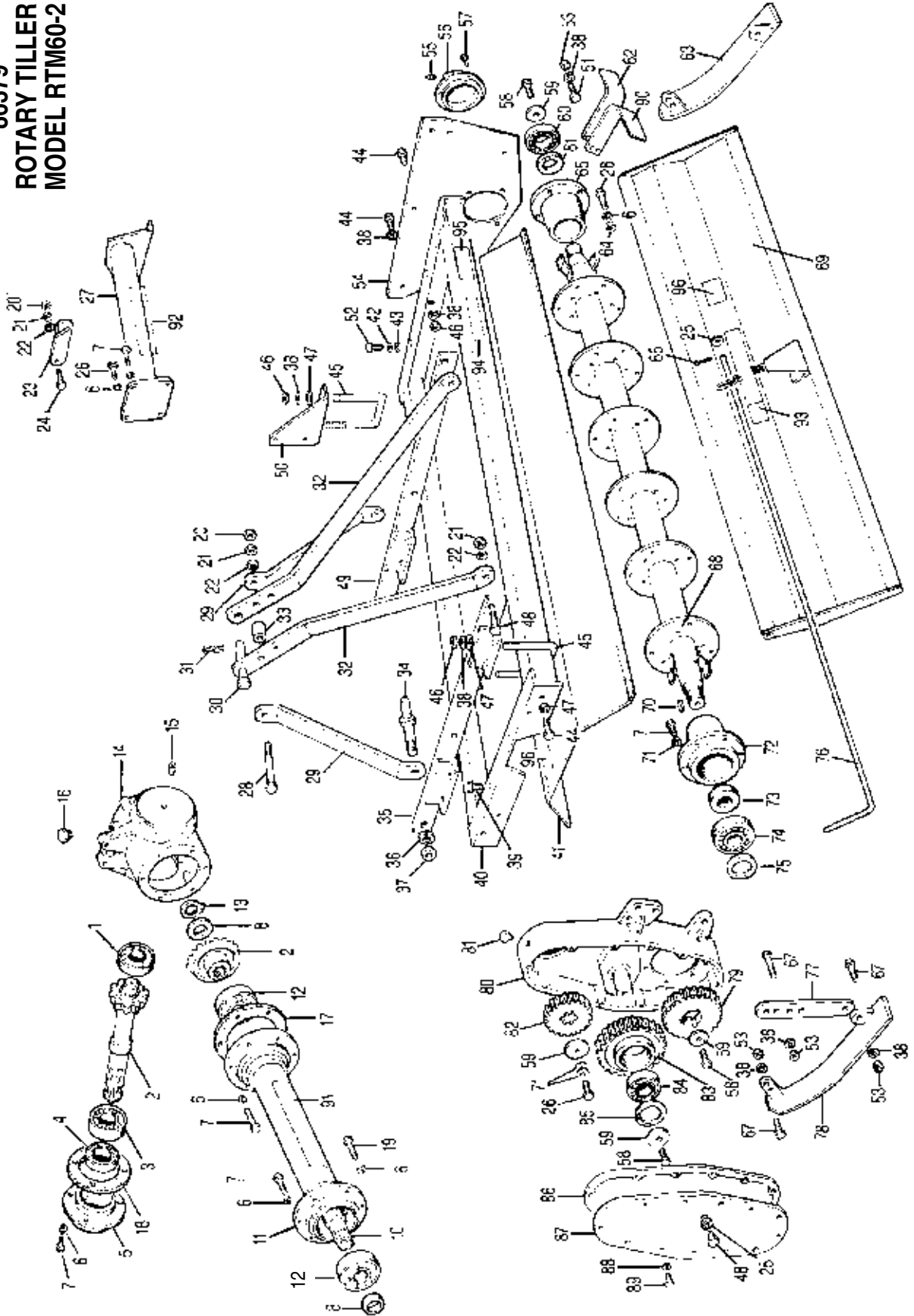
REF. NO.	PART NO.	QTY.	DESCRIPTION
1	65468	1	Support
2	65469	1	Spacer
3	65470	1	U-Bolt
4	65471	2	Hex Nut
5	65472	2	Lockwasher



RTM60-1 ROTARY TILLER RTM52-1 ROTARY TILLER

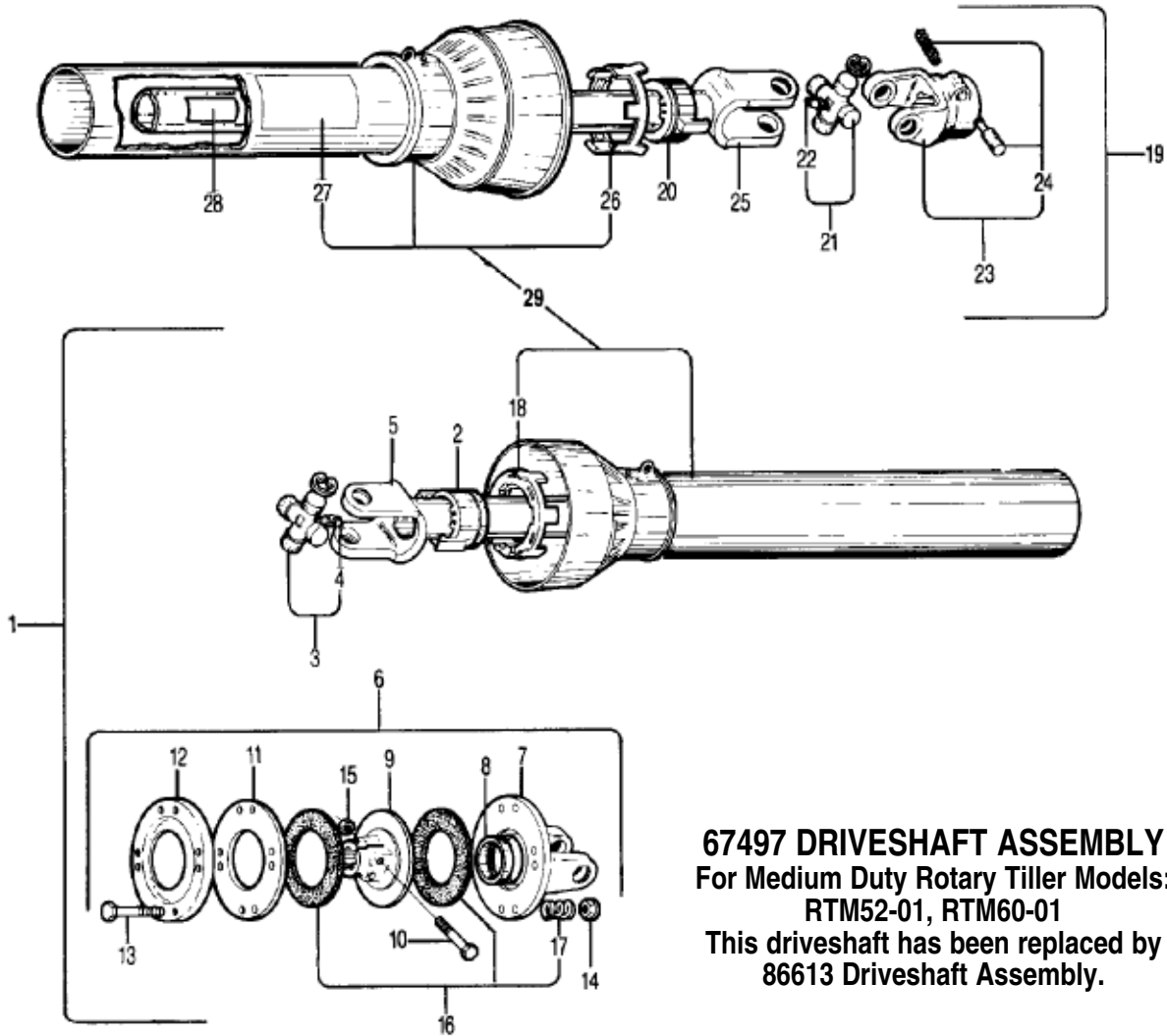
REF. NO.	PART NO.	QTY.	DESCRIPTION	REF. NO.	PART NO.	QTY.	DESCRIPTION
2	64491	31	Washer	53	65752	2	Height Adjuster
3	67994	28	Screw	54	64466	A/R	Screw M14 x 1.5 x 40
4	64500	1	Support RTM52	55	65753	1	Skid, L.H.
	65710	1	Support RTM60	56	64547	1	Pin
5	64530	13	Washer	57	65755	1	Spacer
6	64531	13	Screw	58	65756	1	Bearing
				59	64539	2	Oil Seal
8	65712	3	Gasket	60	65757	1	Housing
9	64489	1	Oil Seal	61	65758	6	Washer
10	70229	1	Bearing	62	65759	12	Screw
11	65713	4	Shim	63	64542	3	Key
12	65714	3	Screw	64	65760	1	Rotor Shaft (RTM52)
13	65715	1	Hook		65761	1	Rotor Shaft (RTM60)
14	64481	4	Washer	65	65762	1	Rear Shield (RTM52)
15	64479	3	Nut		65763	1	Rear Shield (RTM60)
16	65716	1	Plug	66	65764	A/R	Speed Blades, R.H.
17	65717	1	Support	67	65765	A/R	Speed Blades, L.H.
18	64480	3	Nut	68	64461	1	Split Pin
19	65719	1	Spacer	69	65766	6	Nut
20	65721	2	Strut	70	65768	1	Housing
21	65722	1	Cotter Pin	71	65769	1	Oil Seal
22	64470	1	Pin	72	65770	1	Bearing
23	65724	2	Strut	73	65772	1	Angular Blade, R.H.
24	65725	1	Screw (Cat. 1)	74	65773	1	Angular Blade, L.H.
25	68074	1	Screw (Cat. 2)	75	65774	1	Skid
26	64486	1	Bearing	76	65775	4	Screw
27	64730		Gear & Pinion Set	77	65776	1	Cover
28	65731	1	Gearbox	78	65777	1	Grease Nipple
29	67944	1	Plug	79	65778	1	Side Frame
30	64502	2	Lockring	80	65779	1	Screw
31	68056	2	Bearing	81	64492	6	Screw
32	64497	1	Shaft RTM52	82	65780	13	Nut
	65735	1	Shaft RTM60	83	67942	4	Screw
33	64533	1	Washer	84	64476	4	Washer
34	64532	5	Screw	85	65783	6	U-Bolt
35	65736	1	Cover	86	64477	4	Nut
36	65737	1	Gasket	87	65784	1	Cowl (RTM52)
37	65738	3	Washer		65785	1	Cowl (RTM60)
38	68057	1	Lockring	88	65786	1	Frame (RTM52)
39	65740	1	Bearing		65787	1	Frame (RTM60)
40	65741	1	Gear (Top)	89	65788	2	Nut
41	65742	1	Spacer	90	65789	2	Nut
42	64506	1	Plug	91	65790	2	Washer
43	65743	1	Gearbox	92	65791	1	Lower Hitch, L.H.
44	65744	4	Washer	93	65792	2	Lower Hitch Pin Category 1
45	65745	4	Screw	94	65794	1	Lower Hitch, R.H.
				95	60873	1	Caution Decal
47	65747	1	Gear (Bottom)	96	61857	1	Caution Decal
48	65749	1	Gear (Middle)	97	12115	1	Bush Hog Decal
49	44233	A/R	Washer M14	98	65767	1	Model Decal (RTM52)
50	44234	A/R	Nut M14 x 1.5		65748	1	Model Decal (RTM60)
51	65750	2	Toothed Plate	99	12119	1	Bush Hog Decal
52	65751	2	Screw				

86379
ROTARY TILLER
MODEL RTM60-2



86379 ROTARY TILLER MODEL RTM60-2

REF. NO.	PART NO.	QTY.	DESCRIPTION	REF. NO.	PART NO.	QTY.	DESCRIPTION
1	64486	1	Bearing	49	65794	1	Lift Arm R.H.
2	64487	1	Input Shaft & Gear	50	86368	1	Bracket
3	70229	1	Bearing	51	64466	56	Screw (Special)
4	64489	1	Oil Seal	52	44273	2	Capscrew M12 x 1.5 x 35
5	64490	1	Front Cover	53	44234	62	Hex Nut M14 x 1.5
6	44198	27	Lockwasher M10	54	65778	1	Side Frame R.H.
7	44340	29	Capscrew M10 x 1.5 x 25	55	67974	1	Grease Fitting
8	64527	3	Spacer	56	65776	1	Rotor Cover R.H.
				57	44312	4	Capscrew M16 x 1 x 20
10	64489	1	Shaft	58	44391	4	Capscrew M12 x 1.75 x 16
11	64890	1	Shaft Support	59	65738	4	Washer
12	68056	2	Bearing	60	65770	1	Bearing
13	64502	2	Retaining Ring	61	65769	1	Oil Seal
14	64503	1	Gearbox	62	86391	A/R	R.H. Blade
15	67944	1	Plug		94581	A/R	R.H. Speed Blade
16	64506	2	Plug	63	65774	1	Skid R.H.
17	86367	1	Gasket	64	44342	4	Hex Nut M10 x 1.5
18	86366	1	Gasket	65	65768	1	Rotor Housing R.H.
19	44390	7	Capscrew M10 x 1.25 x 1.5	66	64461	1	Split Pin
20	44389	4	Jam Nut M16 x 2	67	64466	6	Capscrew, Special
21	44388	4	Hex Nut M16 x 2	68	86411	1	Rotor
22	44099	4	Lockwasher M16	69	86412	1	Rear Shield
23	64505	1	Chain Hook	70	64542	3	Key
24	44398	1	Screw	71	—	8	Flatwasher 3/8"
25	44269	2	Washer M12	72	65757	1	Rotor Housing L.H.
26	44202	6	Capscrew M10 x 1.5 x 30	73	64539	1	Oil Seal
27	65718	1	Upper Support	74	65756	1	Bearing
28	44399	1	Screw	75	65755	1	Spacer
29	65724	2	Strut	76	65754	1	Pin
30	64470	1	Top Link Pin	77	86370	2	Skid Adj. Link
31	68026	1	Pin	78	65753	1	Skid L.H.
32	86369	2	Rear Strut	79	65747	1	Lower Case
33	65719	1	Spacer	80	65743	1	Gear Case
34	65793	2	Lift Pin	81	64506	1	Oil Fill Plug
35	65791	1	Lift Arm L.H.	82	65741	1	Upper Case
36	44395	2	Lockwasher M22	83	65749	1	Middle Gear
37	44294	2	Hex Nut M22 x 1.5	84	65740	1	Bearing
38	44233	68	Lockwasher M14	85	68057	1	Retaining Ring
39	44394	2	Capscrew M12 x 1.75 x 30	86	65737	1	Gasket
40	65787	1	Frame	87	65736	1	Gear Case Cover
41	65785	1	Frame Plate	88	44216	12	Flatwasher M8
42	44269	4	Flatwasher	89	44315	12	Capscrew M8 x 1.25 x 20
43	44244	2	Hex Nut M12 x 1.75	90	86390	A/R	L.H. Blade
44	44393	7	Capscrew M14 x 2 x 25		94582	A/R	L.H. Speed Blade
45	65783	6	Stirrup	91	65748	1	Model Decal
46	44392	12	Hex Nut M14 x 2	92	12115	1	Bush Hog Decal
47	44263	12	Flatwasher M14	93	12119	1	Bush Hog Decal
48	44326	2	Capscrew M16 x 2 x 50	94	60873	1	Caution Decal
				95	82617	1	Caution Decal
				96	81067	2	Danger Decal

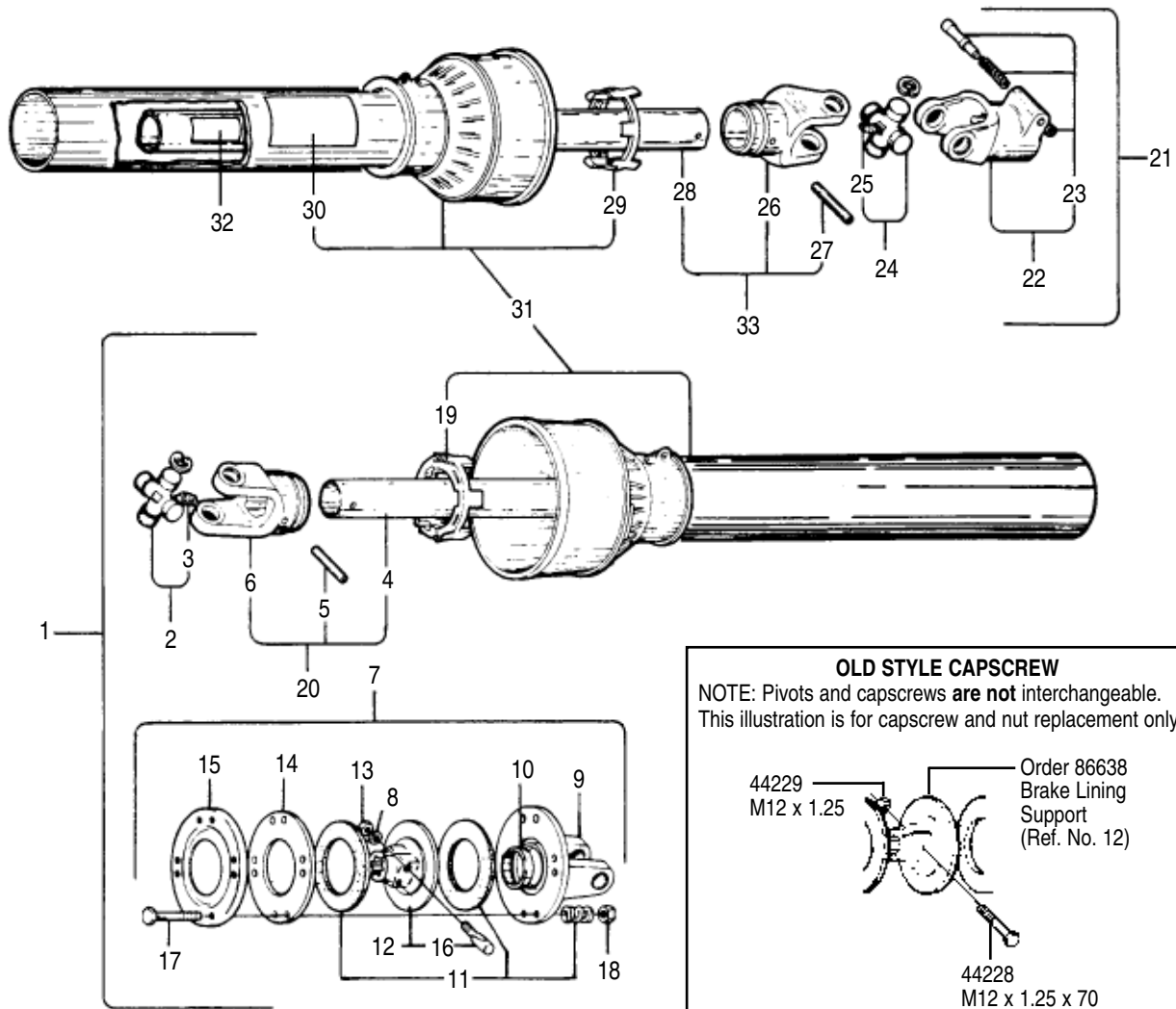


67497 DRIVESHAFT ASSEMBLY
 For Medium Duty Rotary Tiller Models:
 RTM52-01, RTM60-01
 This driveshaft has been replaced by
 86613 Driveshaft Assembly.

REF. NO.	PART NO.	QTY.	DESCRIPTION
1	82796	1	Inner Half Assembly
2	63942	1	Ring for Inner Tube
3	64694	1	Cross Bearing Kit
4	63956	1	Grease Fitting
5	*	1	Yoke w/ Inner Tube
6	68682	1	Torque Limiter
7	68969	1	Flanged Yoke
8	64828	1	Collar
9	65456	1	Brake Lining Support
10	44228	2	Bolt
11	64650	1	Inner Plate Arm
12	64649	1	Pressure Plate
13	44155	8	Bolt
14	44154	8	Nut, Toplock
15	44229	2	Locknut
16	67303	1	Lining Kit
17	64657	8	Spring
18	66117	1	Inner Guard Collar

REF. NO.	PART NO.	QTY.	DESCRIPTION
19	82795	1	Outer Half Assembly
20	63941	1	Ring for Outer Shaft
21	64694	1	Cross Bearing Kit
22	63956	1	Grease Fitting
23	64692	1	Q.D. Yoke Assembly
24	63945	1	Q.D. Pin Kit
25	*	1	Yoke w/ Outer Tube
26	66120	1	Outer Guard Collar
27	64571	1	Danger Decal
28	78786	1	Danger Decal
29	68688	1	Safety Guard Assembly

*Order complete half.



86613 DRIVESHAFT ASSEMBLY

This driveshaft replaces 82623 Assembly

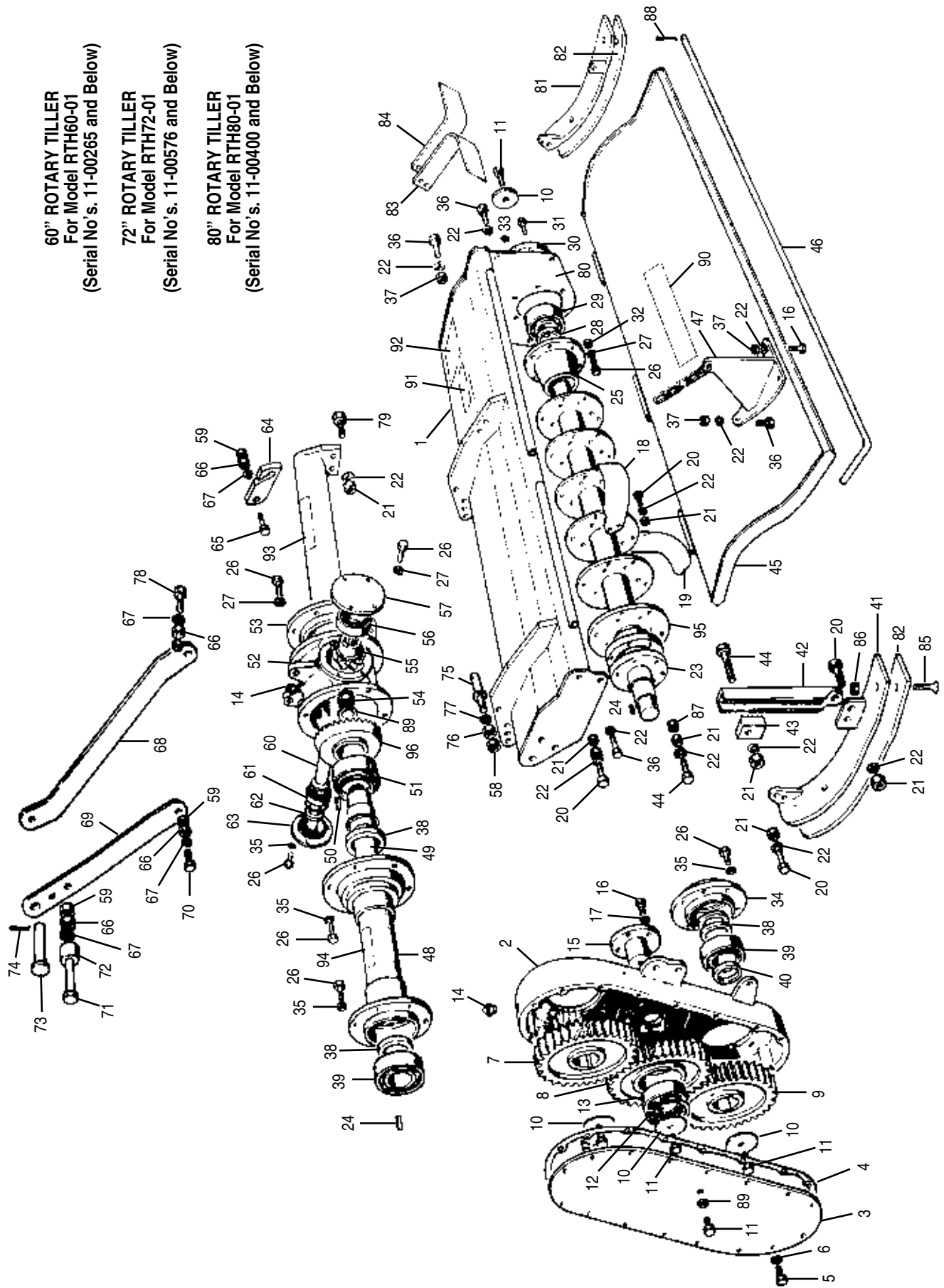
For Models RTM Medium Duty Rotary Tillers: RTM52-01, RTM60-01, RTM60-02

REF. NO.	PART NO.	QTY.	DESCRIPTION	REF. NO.	PART NO.	QTY.	DESCRIPTION
1	86645	1	Shielded Inner Half	18	44154	8	Locknut M10 x 1.5
2	64694	1	Cross Bearing Kit	19	66117	1	Inner Shield Bearing
3	63956	1	Grease Fitting	20	N/A	1	Yoke & Tube, Inner
4	82792	1	Inner Tube	21	82795	1	Shielded Outer Half
5	78578	1	Flexible Pin	22	64692	1	Q.D. Yoke Assembly
6	78570	1	Yoke for Inner Tube	23	63945	1	Q.D. Pin Kit
7	86667	1	Torque Limiter Assembly	24	64694	1	Cross Bearing Kit
8	44206	1	Lockwasher	25	63956	1	Grease Fitting
9	68969	1	Flange Yoke	26	78571	1	Yoke for Outer Tube
10	64828	1	Collar Bushing	27	78577	1	Flexible Pin
11	67303	1	Lining Kit	28	82791	1	Outer Tube
12	86638	1	Brake Lining Support w/ Pivot	29	66120	1	Outer Shield Bearing
13	44244	1	Hex Nut M12 x 1.75	30	78608	1	Safety Decal
14	64650	1	Inner Plate	31	82797	1	Safety Shield Assembly
15	64649	1	Pressure Plate	32	78786	1	Danger Decal
16	83080	1	Pivot Assy. w/ Nut & Washer	33	—	1	Yoke & Tube, Outer
17	44155	8	Capscrew M10 x 1.5 x 85				

60" ROTARY TILLER
For Model RTH60-01
(Serial No's. 11-00265 and Below)

72" ROTARY TILLER
For Model RTH72-01
(Serial No's. 11-00576 and Below)

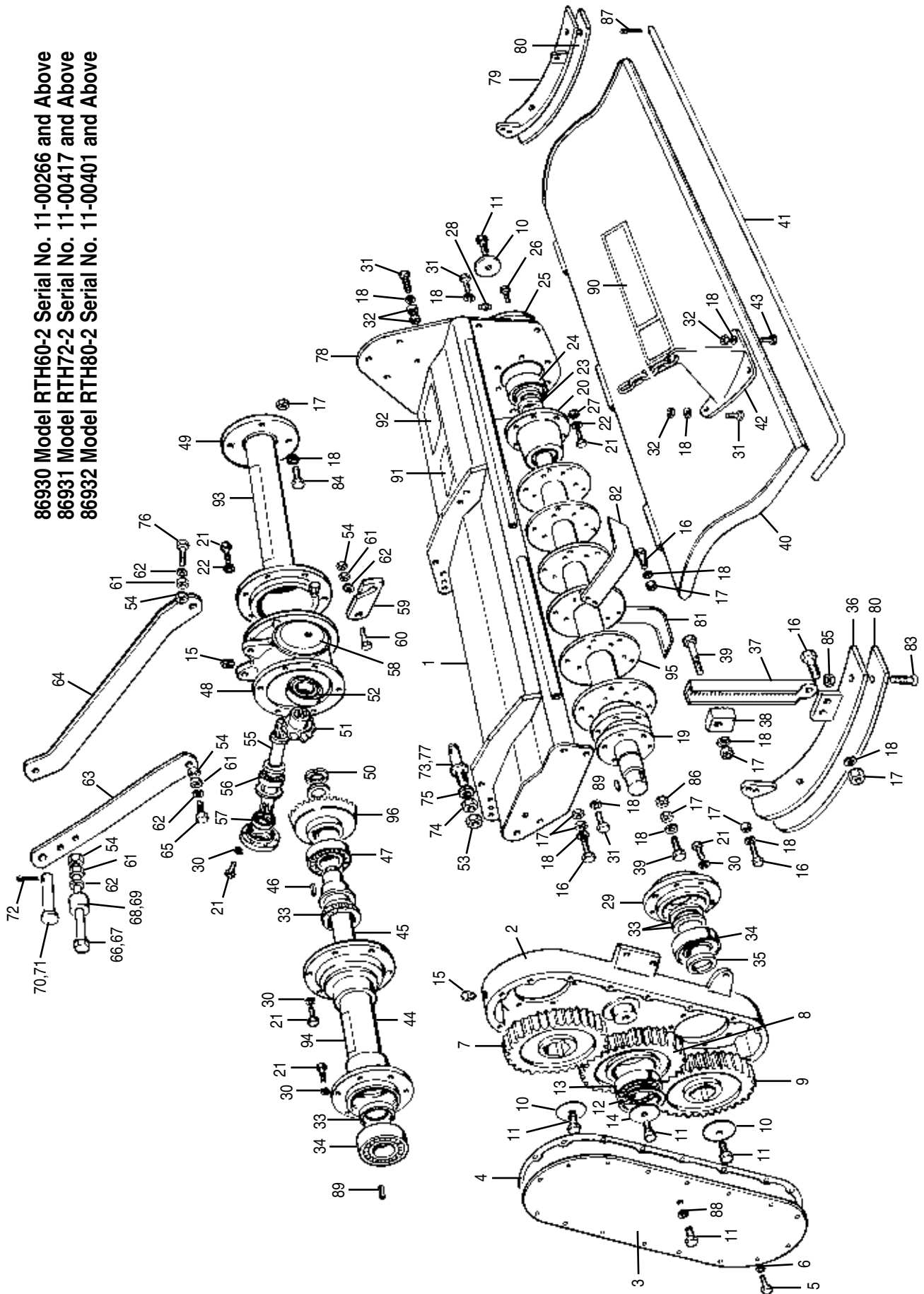
80" ROTARY TILLER
For Model RTH80-01
(Serial No's. 11-00400 and Below)



MODEL RTH60 ROTARY TILLER (Serial No's. 11-00265 and Below)
MODEL RTH72 ROTARY TILLER (Serial No's. 11-00576 and Below)
MODEL RTH80 ROTARY TILLER (Serial No's. 11-00800 and Below)

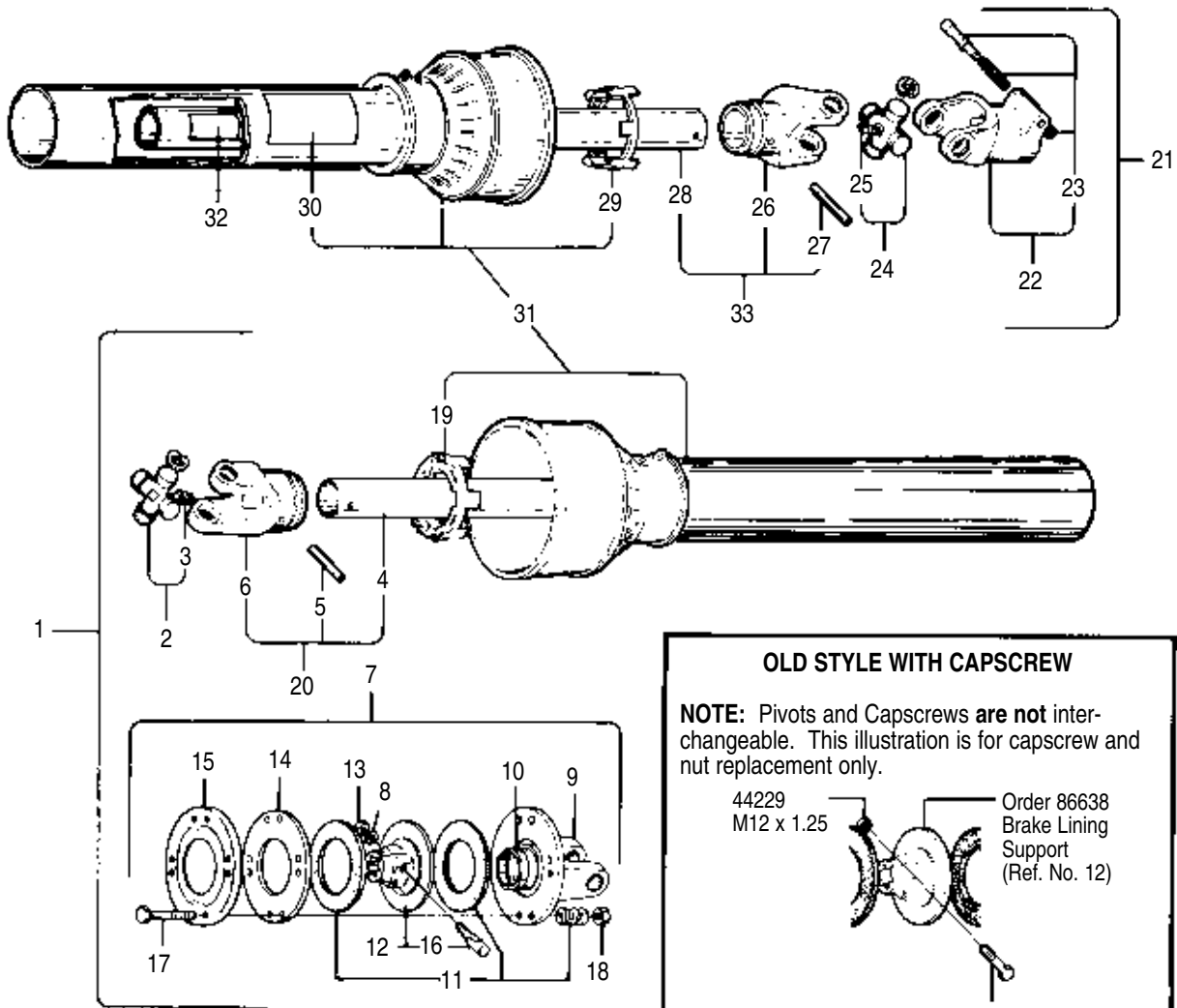
REF. NO.	PART NO.	QTY.	DESCRIPTION	REF. NO.	PART NO.	QTY.	DESCRIPTION
1	65868	1	Frame RTH60	50	65897	2	Key
	65869	1	Frame RTH72	51	65898	1	Bearing
	65870	1	Frame RTH80	52	65899	1	Gearbox
2	65871	1	Gearbox	53	65900	1	Support RTH60
3	65872	1	Cover		65901	1	Support RTH72 & RTH80
4	65873	1	Gasket	54	65904	1	Nut
5	44315	12	Screw	55	87498	1	Pinion Gear
6	44216	12	Washer	56	65851	1	Bearing
7	65874	1	Gear	57	65906	1	Cap
8	65749	1	Gear	58	65788	2	Nut
9	65875	1	Gear	59	44389	3	Nut
10	65739	4	Washer	60	65907	1	Shaft
11	44391	6	Screw	61	65908	1	Bearing
12	68057	1	Lockring	62	65909	1	Oil Seal
13	65740	1	Bearing	63	65910	1	Cap
14	64506	2	Plug	64	65715	1	Hook
15	65876	1	Pivot	65	64485	1	Screw
16	65745	7	Screw	66	44388	5	Nut
17	65744	5	Washer	67	64481	5	Washer
18	65882	A/R	Speed Blade, R.H.	68	65911	2	Strut RTH60 & RTH72
19	65883	A/R	Speed Blade, L.H.		65854	2	Strut RTH80
20	64466	A/R	Screw M14 x 1.5 x 40	69	65912	2	Strap RTH60 & RTH72
21	44234	A/R	Nut M14 x 1.5		65855	2	Strap RTH80
22	44233	A/R	Washer M14	70	65856	1	Screw
23	65884	1	Pivot	71	65725	1	Screw Cat.1
24	64542	2	Key		68074	1	Screw Cat.2
25	65768	1	Housing	72	65719	1	Spacer Cat.1
26	65759	35	Screw		65720	1	Spacer Cat. 2
27	44198	14	Washer	73	64470	1	Pin Cat. 1
28	65769	1	Oil Seal		65723	1	Pin Cat. 2
29	65770	1	Bearing	74	65722	1	Split Pin
30	65776	1	Cover	75	65792	2	Lower Hitch Pin Cat.1
31	65775	4	Screw		65793	2	Lower Hitch Pin Cat. 2
32	44342	4	Nut	76	65789	2	Nut
33	65777	1	Grease Nipple	77	44395	2	Washer
34	65885	1	Housing	78	44326	2	Screw
35	65758	21	Washer	79	65913	2	Screw
36	44393	8	Screw	80	65914	1	Side Frame
37	44392	6	Nut	81	50024557	1	Skid R.H.
38	64539	4	Oil Seal	82	50024559	2	Skid Shoe
39	65756	2	Bearing	83	65915	A/R	L.H. Angular Blade
40	65886	1	Spacer	84	65920	A/R	R.H. Angular Blade
41	50024558	1	Skid, L.H.	85	65863	4	Screw
42	65752	2	Height Adjuster	86	44244	4	Nut
43	65750	2	Toothed Plate	87	65864	5	Nut
44	65751	7	Screw	88	64461	1	Split Pin
45	65887	1	Rear Shield RTH60	89	64533	1	Washer
	65888	1	Rear Shield RTH72	90	12119	1	Bush Hog Decal
	65889	1	Rear Shield RTH80	91	61857	1	Caution Decal
46	65754	1	Pin RTH60	92	60873	1	Caution Decal
	65890	1	Pin RTH72	93	12115	1	Bush Hog Decal
	65827	1	Pin RTH80	94	65781	1	Model Decal RTH60
47	65830	1	Attachment for Chain		65838	1	Model Decal RTH72
48	65891	1	Support RTH60		65930	1	Model Decal RTH80
	65892	1	Support RTH72	95		1	Rotor Shaft
	65893	1	Support RTH80	96	93140	1	Bevel Gear
49	65894	1	Shaft RTH60				
	65895	1	Shaft RTH72				
	65896	1	Shaft RTH80				

86930 Model RTH60-2 Serial No. 11-00266 and Above
86931 Model RTH72-2 Serial No. 11-00417 and Above
86932 Model RTH80-2 Serial No. 11-00401 and Above



86930 Model RTH60-2 Serial No. 11-00266 and Above
86931 Model RTH72-2 Serial No. 11-00417 and Above
86932 Model RTH80-2 Serial No. 11-00401 and Above

REF. NO.	PART NO.	QTY.	DESCRIPTION	REF. NO.	PART NO.	QTY.	DESCRIPTION
1	65868	1	Frame RTH60	49	87499	1	Support RTH60, RTH72
	65869	1	Frame RTH72		65901	1	Support RTH80
	65870	1	Frame RTH80	50	65904	1	Nut
2	86919	1	Gearbox	51	87498	1	Pinion Gear
3	86920	1	Cover	52	87497	1	Bearing
4	65873	1	Gasket	53	65788	2	Nut
5	44315	12	Capscrew M8 x 1.25 x 20	54	44389	3	Jamnut M16 x 2
6	44216	12	Flatwasher M8	55	87496	1	Shaft
7	65874	1	Top Gear	56	65908	1	Bearing
8	86922	1	Middle Gear	57	65909	1	Oil Seal
9	65875	1	Bottom Gear	58	65910	1	Cap
10	65738	3	Washer	59	65715	1	Hook
11	44391	4	Capscrew M12 x 1	60	64485	1	Screw
12	86924	1	Lock Ring	61	44388	5	Hex Nut M16 x 2
13	86925	1	Bearing	62	44099	5	Lockwasher M16
14	86923	1	Washer	63	65912	2	Strut RTH60, RTH72
15	64506	2	Plug		65855	2	Strut RTH80
16	64466	63/79/87	Screw	64	65911	2	Strut RTH60, RTH72
17	44234	74/90/98	Hex Nut M14 x 1.5		65854	2	Strut RTH80
18	44233	84/100/108	Lockwasher M14	65	65856	1	Screw
19	65884	1	Pivot	66	68074	2	Screw Cat. 2
20	65768	1	Housing	67	65725	2	Screw Cat. 1
21	44202	31	Capscrew M10 x 1.5 x 30	68	65719	2	Spacer Cat. 1
22	44198	10	Lockwasher M10	69	65720	2	Scraper Cat. 2
23	65769	1	Oil Seal	70	65723	2	Pin Cat. 1
24	65770	1	Bearing	71	64470	2	Pin Cat. 2
25	65776	1	Cover	72	65722	1	Split Pin
26	44312	4	Capscrew M6 x 1 x 20	73	65792	2	Lower Hitch Pin Cat. 1
27	44342	4	Hex Nut M10 x 1.5	74	44294	2	Hex Nut M22 x 1.5
28	65777	1	Grease Fitting	75	44395	2	Lockwasher M22
29	65885	1	Housing	76	44326	2	Capscrew M16 x 2 x 50
30	—	21	Flatwasher 3/8"	77	65793	2	Lower Hitch Pin Cat. 2
31	44393	8	Capscrew M14 x 2 x 25	78	86926	1	Side Frame
32	44392	7	Hex Nut M14 x 2	79	50024557	1	Skid, R.H.
33	64539	4	Oil Seal	80	50024559	2	Skid Shoe
34	65756	2	Bearing	81	65915	14/18/20	Blade L.H. (Std.)
35	65886	1	Spacer		65883	14/18/20	Speed Blade L.H. (Opt.)
36	50024558	1	Skid, L.H.	82	65920	14/18/20	Blade R.H. (Std.)
37	65752	2	Height Adjuster		65882	14/18/20	Speed Blade R.H. (Opt.)
38	65750	2	Toothed Plate	83	65863	4	Screw
39	65751	7	Screw	84	65913	2	Screw
40	65887	1	Rear Shield RTH60	85	44244	4	Hex Nut M12 x 1.75
	65888	1	Rear Shield RTH72	86	65864	5	Nut
	65889	1	Rear Shield RTH80	87	64461	1	Split Pin
41	65754	1	Pin RTH60	88	44269	1	Flatwasher M12
	65890	1	Pin RTH72	89	64542	6	Key
	65827	1	Pin RTH80	90	12119	1	Bush Hog Decal
42	65830	1	Chain Bracket	91	82617	1	Caution Decal
43	65745	2	Screw	92	60873	1	Caution Decal
44	65891	1	Support RTH60	93	12115	1	Bush Hog Decal
	65892	1	Support RTH72	94	65781	1	Model Decal RTH60
	65893	1	Support RTH80		65838	1	Model Decal RTH72
45	65894	1	Shaft RTH60		65930	1	Model Decal RTH80
	65895	1	Shaft RTH72	95	65880	1	Rotor RTH60
	65896	1	Shaft RTH80		87506	1	Rotor RTH72
46	65897	2	Key		65881	1	Rotor RTH80
47	65898	1	Bearing	96	93140	1	Bevel Gear
48	87500	1	Gearbox				



86611 DRIVESHAFT ASSEMBLY

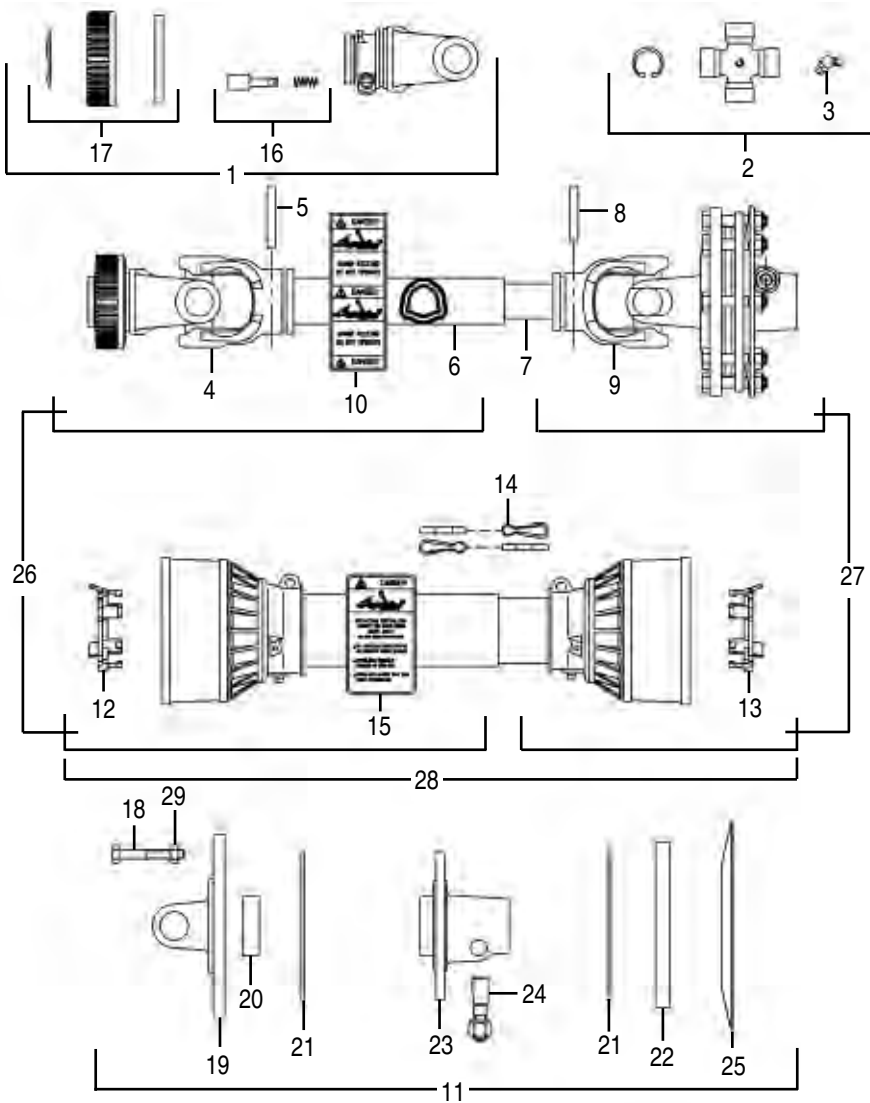
Replaced by 50042359

For All Models RTH Rotary Tiller
RTH60, RTH72, RTH80, RTH88

RTH60-03, RTH72-03, RTH80-03, RTH88-03

REF. NO.	PART NO.	QTY.	DESCRIPTION
1	86639	1	Shielded Inner Half
2	64663	1	Cross Bearing Kit
3	63956	1	Grease Fitting
4	68697	1	Inner Tube
5	66869	1	Roll Pin
6	66870	1	Yoke for Inner Tube
7	86610	1	Torque Limiter Assy.
8	44200	1	Lockwasher
9	64655	1	Flanged Yoke
10	64828	1	Collar Bearing
11	67303	1	Lining Kit
12	86638	1	Friction Lining Kit w/Pivot
13	44244	1	Hex Nut M12 x 1.75
14	64650	1	Inner Plate
15	64649	1	Pressure Plate
16	83060	1	Pivot Assy. w/Nut & Washer
17	44155	8	Capscrew M10 x 1.5 x 85

REF. NO.	PART NO.	QTY.	DESCRIPTION
18	44154	8	Locknut M10 x 1.5
19	66876	1	Shield Bearing, Inner
20	—	1	Inner Yoke & Tube
21	68706	1	Outer Half Assembly
22	64660	1	Q.D. Yoke Assy.
23	63945	1	Q.D. Pin Kit
24	64663	1	Cross Bearing Kit
25	63956	1	Grease Fitting
26	66865	1	Yoke, Outer Tube
27	66866	1	Roll Pin, Outer Tube
28	68696	1	Outer Tube
29	66875	1	Shield Bearing, Outer
30	78608	1	Safety Decal
31	68701	1	Safety Guard Assy.
32	78786	1	Danger Decal
33	—	1	Outer Yoke & Tube



50042359 DRIVESHAFT ASSEMBLY

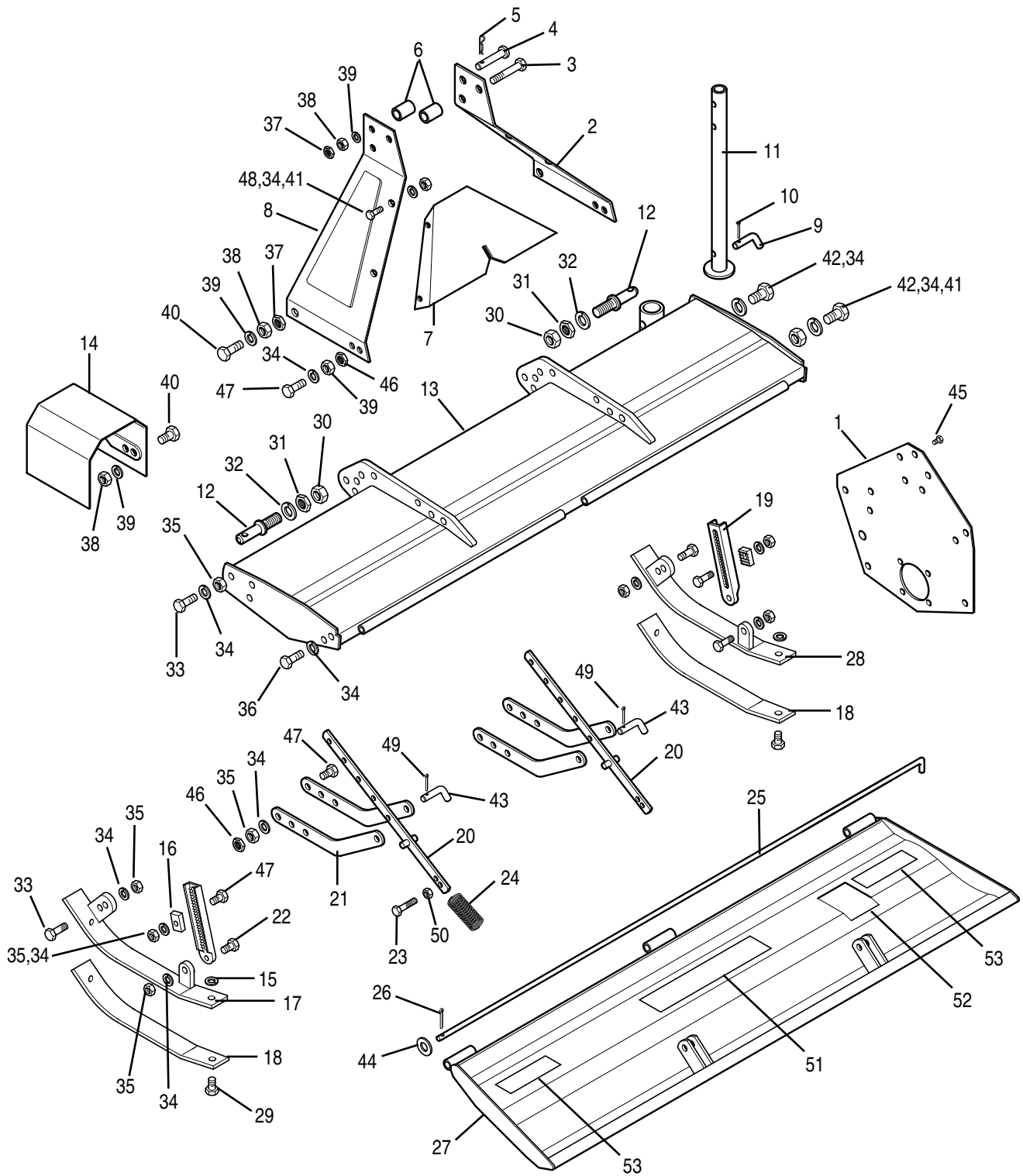
1-3/8" – 6 Spline – 540 RPM

**For RTH Rotary Tiller Models: RTH60, RTH72, RTH80, RTH88,
RTH60-03, RTH72-03, RTH80-03, RTH88-03**

Replaces 86611 Driveshaft

REF. NO.	PART NO.	QTY.	DESCRIPTION	REF. NO.	PART NO.	QTY.	DESCRIPTION
1	86293	1	Yoke	16	63945	1	Q.D. Pin Kit
2	64663	2	Cross Journal Assembly	17	50042366	1	Sleeve Kit
3	63956	2	Grease Nipple	18	44525	8	Screw M10 x 1.5 x 55
4	66865	1	Outer Tube Yoke	19	50042352	1	Flanged Yoke
5	66866	1	Flexible Pin	20	64828	1	Collar
6	68696	1	Cardan Tube, Outer	21	50042344	2	Lining
7	50042351	1	Cardan Tube, Inner	22	50042345	1	Drive Plate
8	66869	1	Flexible Pin	23	50042346	1	Hub
9	66870	1	Inner Tube Yoke	24	90938	1	Tapered Pin Kit
10	78786	1	Danger Decal	25	50042354	1	Spring
11	50042360	1	Torque Limiter	26	50042355	1	Outer Half Shaft
12	66875	1	Shield Support	27	50042356	1	Inner Half Shaft
13	66876	1	Shield Support	28	50042357	1	Complete Shield
14	64814	2	Complete Chain	29	44154	8	Lock Nut M10
15	78608	1	Danger Decal				

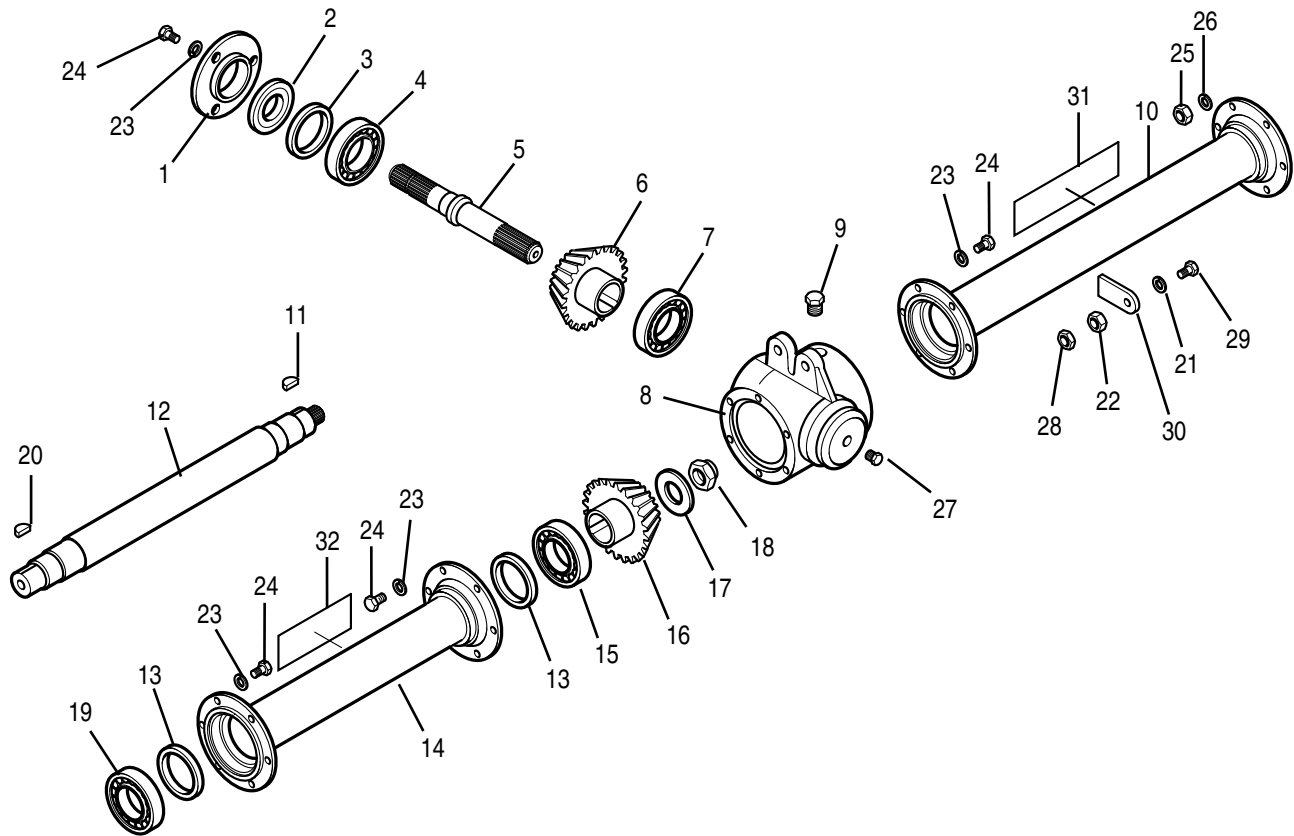
RTH60-03, RTH72-03, RTH80-03, RTH88-03 FRAME & RELATED PARTS



RTH60-03, RTH72-03, RTH80-03, RTH88-03 FRAME & RELATED PARTS

REF. NO.	PART NO.	QTY.	DESCRIPTION	REF. NO.	PART NO.	QTY.	DESCRIPTION
1	65921	1	Side Frame	28	50024557	1	R.H. Skid
2	94530	1	R.H. Side Frame	29	65863	4	Screw, M12 x 35
3	44324	2	Capscrew M16 x 110	30	44294	2	Hex Nut, M22
4	65723	1	Pin	31	44407	2	Jam Nut, M22
5	66415	1	Split Pin	32	44395	2	Lockwasher, M22
6	94531	2	Spacer	33	44396	3	Capscrew, M14 x 40 (RTH60-03)
7	94532	1	3rd Point Guard			3	Capscrew, M14 x 40 (RTH72-03)
8	94533	1	L.H. Side Frame			3	Capscrew, M14 x 40 (RTH80-03)
9	94556	1	Pin			3	Capscrew, M14 x 40 (RTH88-03)
10	94534	1	Split Pin	34	44233	88	Lockwasher, M14 (RTH60-03)
11	94535	1	Stand			104	Lockwasher, M14 (RTH72-03)
12	65793	2	Lift Hitch Pin			112	Lockwasher, M14 (RTH80-03)
13	65868	1	Frame (RTH60-03)			120	Lockwasher, M14 (RTH88-03)
	65869	1	Frame (RTH72-03)	35	44234	88	Hex Nut, M14 (RTH60-03)
	65870	1	Frame (RTH80-03)			104	Hex Nut, M14 (RTH72-03)
	94551	1	Frame (RTH88-03)			112	Hex Nut, M14 (RTH80-03)
14	94536	1	P.T.O. Guard			120	Hex Nut, M14 (RTH88-03)
15	44244	4	Hex Nut M12	36	64492	2	Capscrew, M14 x 25
16	65750	2	Adjustment Stop	37	44389	3	Jam Nut, M16
17	50024558	1	L.H. Skid	38	44388	4	Hex Nut, M16
18	50024559	2	Wearing-off Plate	39	44099	4	Lockwasher, M16
19	65752	2	Skid Adjustment Bar	40	44326	2	Capscrew, M16 x 50
20	94541	2	Shield Regulation Rod	41	44392	6	Hex Nut, M14
21	94542	4	Bar Fastener	42	44253	6	Capscrew, M14 x 35
22	44495	2	Capscrew, M14 x 45	43	94546	2	Pin
23	44196	2	Capscrew M10 x 1.5 x 45	44	44269	2	Flatwasher, M12
24	94544	2	Spring	45	44202	12	Capscrew, M10 x 30
25	65754	1	Rear Shield Pin (RTH60-03)	46	44493	13	Jam Nut, M14 x 1.5
	65890	1	Rear Shield Pin (RTH72-03)	47	44377	15	Capscrew, M14 x 60
	65827	1	Rear Shield Pin (RTH80-03)	48	44496	4	Capscrew, M14 x 30
	65828	1	Rear Shield Pin (RTH88-03)	49	1273	2	Presto Pin
26	64461	1	Split Pin	50	44342	2	Hex Nut M10 x 1.5
27	94545	1	Rear Shield (RTH60-03)	51	12119	1	Bush Hog Decal
	94548	1	Rear Shield (RTH72-03)	52	81067	1	Danger Decal
	94549	1	Rear Shield (RTH80-03)	53	50031213	2	Red Reflector
	94555	1	Rear Shield (RTH88-03)				

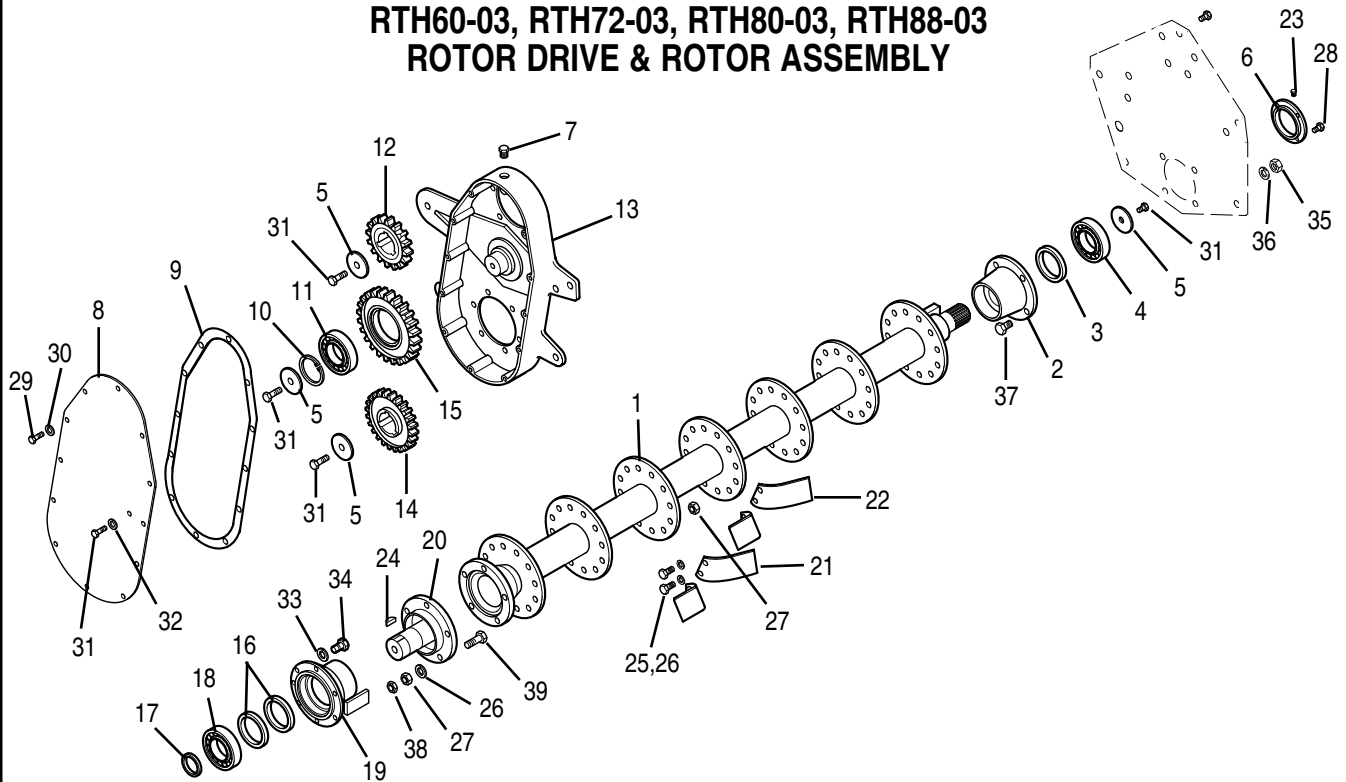
**RTH60-03, RTH72-03, RTH80-03, RTH88-03
GEARBOX & RELATED PARTS**



REF. NO.	PART NO.	QTY.	DESCRIPTION
1	65910	1	Cap
2	65909	1	Oil Seal
3	94537	1	Shim
4	65908	1	Bearing
5	87496	1	Shaft, P.T.O.
6	87498	1	Sprocket
7	87497	1	Bearing
8	87500	1	Gearbox
9	64506	2	Oil Fill Plug
10	87499	1	R.H. Upper Support (RTH60-03, RTH72-03)
	65901	1	R.H. Upper Support (RTH80-03)
	94552	1	R.H. Upper Support (RTH88-03)
11	65897	2	Key, 10 x 8 x 20
12	65894	1	Lateral Shaft (60")
	65895	1	Lateral Shaft (72")
	65896	1	Lateral Shaft (80")
	94553	1	Lateral Shaft (88")
13	64539	4	Oil Seal
14	65891	1	Shaft Support (60")
	65892	1	Shaft Support (72")
	65893	1	Shaft Support (80")
	94554	1	Shaft Support (88")
15	65898	1	Bearing

REF. NO.	PART NO.	QTY.	DESCRIPTION
16	93140	1	Bevel Gear
17	—	1	Flatwasher, 1"
18	65904	1	Locknut, M27 x 2, Block
19	65756	2	Bearing
20	64542	6	Key 10 x 10 x 20
21	44233	88	Lockwasher, M14 (RTH60-03)
		104	Lockwasher, M14 (RTH72-03)
		112	Lockwasher, M14 (RTH80-03)
		120	Lockwasher, M14 (RTH88-03)
22	44234	88	Hex Nut, M14 x 1.5 (RTH60-03)
		104	Hex Nut, (RTH72-03)
		112	Hex Nut, (RTH80-03)
		120	Hex Nut, (RTH88-03)
23	—	27	Flatwasher 3/8"
24	44340	24	Capscrew, M10 x 25
25	44342	9	Hex Nut, M10 x 1.5
26	44198	9	Lockwasher, M10
27	67944	1	Plug, 3/8"
28	44493	13	Jam Nut, M14 x 1.5
29	44377	15	Capscrew, M14 x 60
30	94547	2	Support
31	12115	1	Bush Hog Decal
32	65781	1	Model Decal (RTH60-03)
	65838	1	Model Decal (RTH72-03)
	65930	1	Model Decal (RTH80-03)
	94538	1	Model Decal (RTH88-03)

**RTH60-03, RTH72-03, RTH80-03, RTH88-03
ROTOR DRIVE & ROTOR ASSEMBLY**



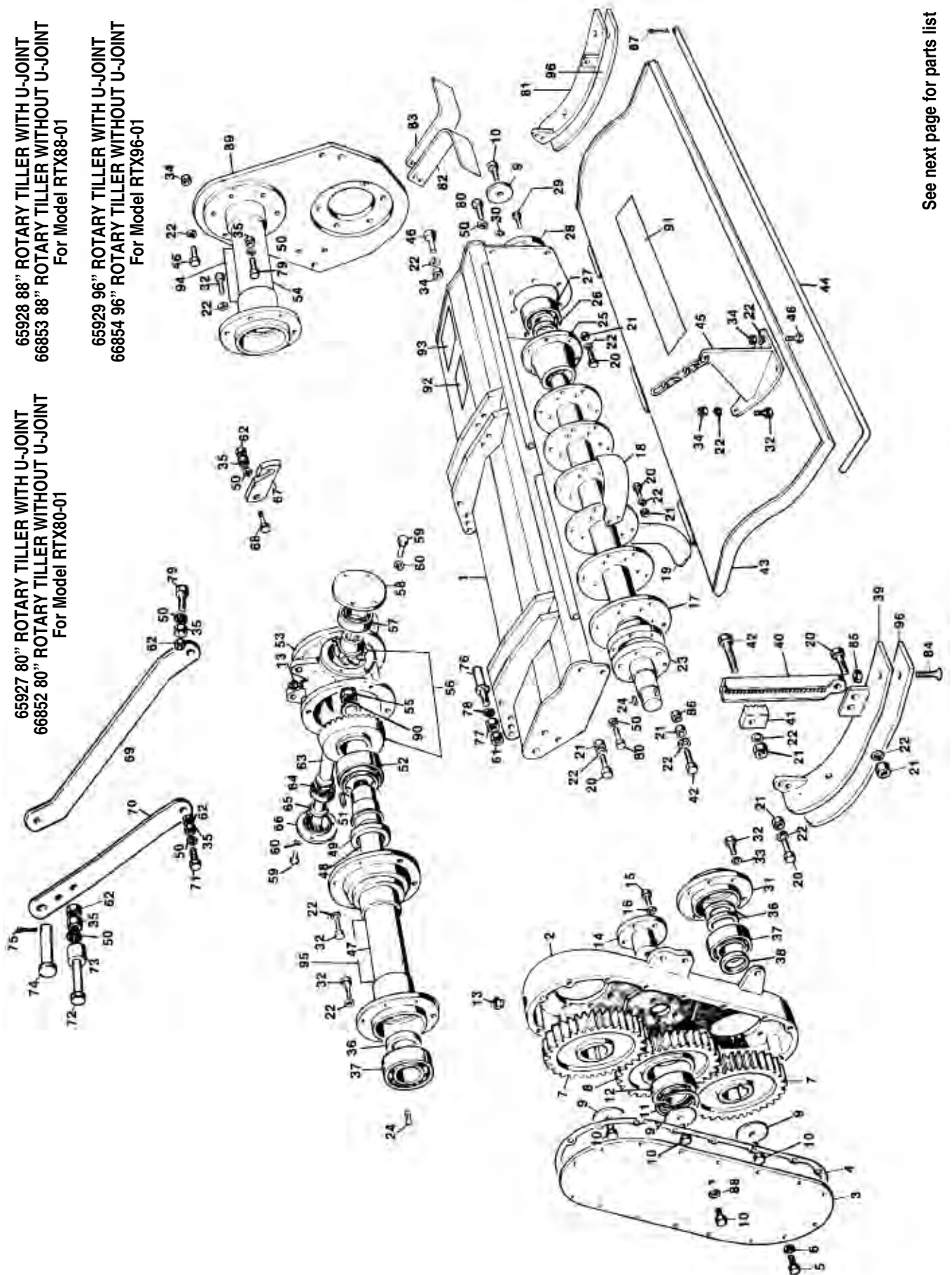
REF. NO.	PART NO.	QTY.	DESCRIPTION
1	65880	1	Rotar (RTH60-03)
	87506	1	Rotar (RTH72-03)
	65881	1	Rotar (RTH80-03)
	94550	1	Rotar (RTH88-03)
2	65768	1	Rotor Support, R.H.
3	65769	1	Oil Seal
4	65770	1	Bearing
5	65738	4	Washer
6	65776	1	Rotor Cover
7	64506	2	Oil Fill Plug
8	65872	1	Cover
9	65873	1	Gasket
10	68057	1	Lockring
11	65740	1	Bearing
12	65874	1	Upper Gear
13	94539	1	Gear Case
14	65875	1	Lower Case
15	65749	1	Middle Gear
16	64539	4	Oil Seal
17	65886	1	Spacer
18	65756	2	Bearing
19	65885	1	Rotor Support, L.H.
20	65884	1	Pivot
21	65882	14	Speed Blade R.H. (RTH60-03)
		18	Speed Blade R.H. (RTH72-03)
		20	Speed Blade R.H. (RTH80-03)
		22	Speed Blade R.H. (RTH88-03)
22	65883	14	Speed Blade L.H. (RTH60-03)
		18	Speed Blade L.H. (RTH72-03)
		20	Speed Blade L.H. (RTH80-03)
		22	Speed Blade L.H. (RTH88-03)

REF. NO.	PART NO.	QTY.	DESCRIPTION
23	65777	1	Grease Nipple
24	64542	6	Key, 10 x 10 x 20
25	64666	56	Capscrew, M14 x 40 (RTH60-03)
		72	Capscrew (RTH72-03)
		80	Capscrew (RTH80-03)
		88	Capscrew (RTH88-03)
26	44233	88	Lockwasher, M14 (RTH60-03)
		104	Lockwasher (RTH72-03)
		112	Lockwasher (RTH80-03)
		120	Lockwasher (RTH88-03)
27	44234	88	Hex Nut, M14 (RTH60-03)
		104	Hex Nut (RTH72-03)
		112	Hex Nut (RTH80-03)
		120	Hex Nut (RTH88-03)
28	44312	4	Capscrew, M16 x 20
29	44315	12	Capscrew, M8 x 20
30	44216	12	Flatwasher, M8
31	44391	5	Capscrew, M12 x 16
32	44269	2	Flatwasher, M12
33	—	27	Flatwasher, 3/8"
34	44340	24	Capscrew, M10 x 25
35	44342	9	Hex Nut, M10 x 1.5
36	44198	9	Lockwasher, M10
37	44202	12	Capscrew, M10 x 30
38	44493	13	Jam Nut, M14 x 1.5
39	44377	15	Capscrew, M14 x 60

65927 80" ROTARY TILLER WITH U-JOINT
66852 80" ROTARY TILLER WITHOUT U-JOINT
For Model RTX80-01

65928 88" ROTARY TILLER WITH U-JOINT
66853 88" ROTARY TILLER WITHOUT U-JOINT
For Model RTX88-01

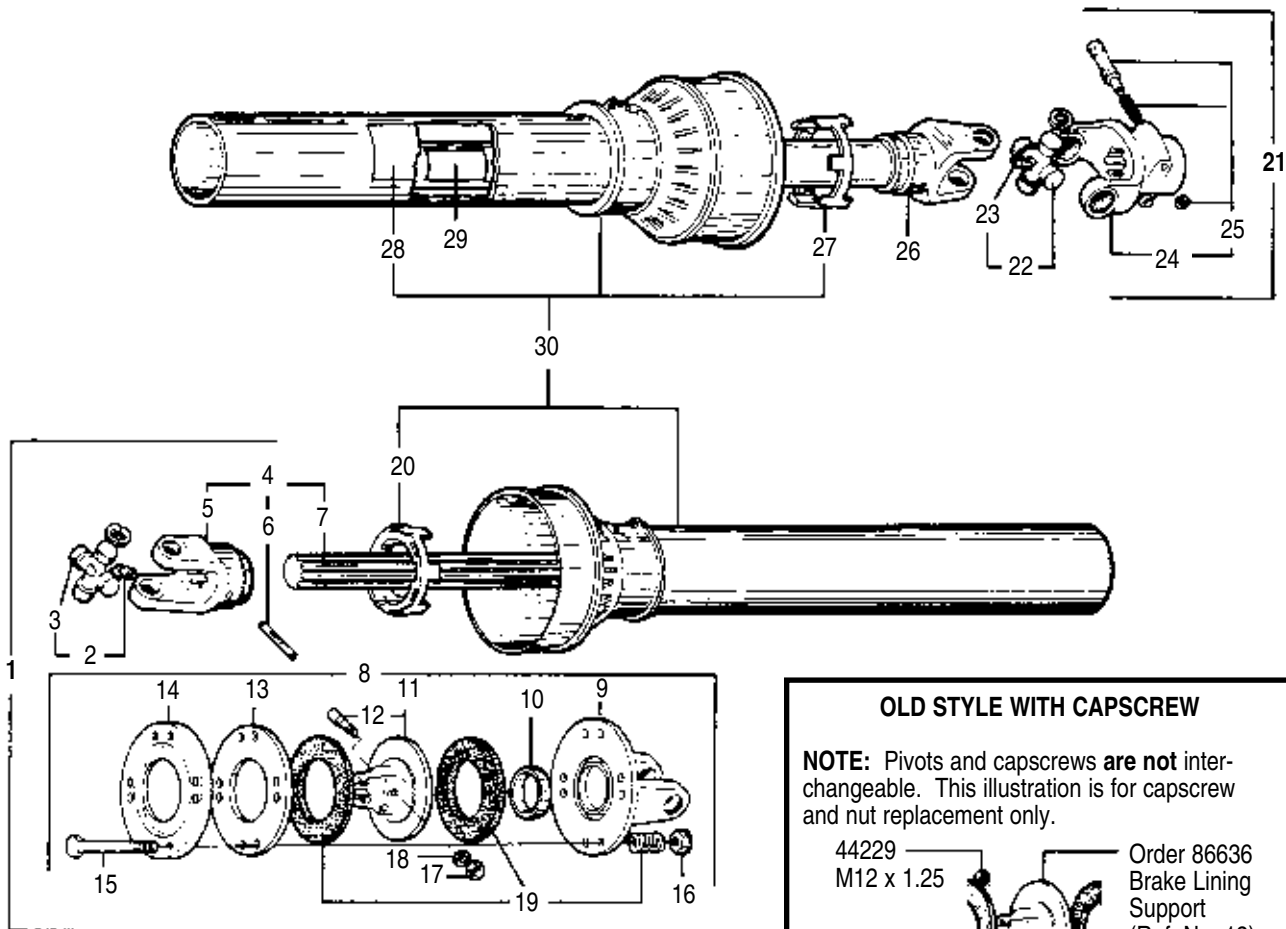
65929 96" ROTARY TILLER WITH U-JOINT
66854 96" ROTARY TILLER WITHOUT U-JOINT
For Model RTX96-01



See next page for parts list

**RTX 80 ROTARY TILLER
RTX 88 ROTARY TILLER
RTX 96 ROTARY TILLER**

REF. NO.	PART NO.	QTY.	DESCRIPTION	REF. NO.	PART NO.	QTY.	DESCRIPTION
1	65797	1	Frame RTX80	48	65834	1	Shaft RTX80
	65798	1	Frame RTX88		65835	1	Shaft RTX88
	65799	1	Frame RTX96		65836	1	Shaft RTX90
2	65800	1	Gear Box	49	65837	1	Oil Seal
3	65801	1	Cover	50	64481	11	Washer
4	65802	1	Gasket	51	65839	2	Key
5	64531	12	Screw	52	65840	1	Bearing
6	64530	12	Washer	53	65841	1	Gearbox
7	65803	2	Gear	54	65842	1	Support RTX80
8	65804	1	Gear		65843	1	Support RTX88
9	65867	4	Washer		65844	1	Support RTX96
10	64532	5	Screw	55	65845	1	Nut
11	65805	1	Lockring	56	65846	1	Gear & Pinion Set
12	65806	1	Bearing	57	65847	1	Bearing
13	64506	2	Plug	58	65849	1	Cap
14	65807	1	Pivot	59	65759	7	Screw
15	65808	1	Screw	60	64491	7	Washer
16	65809	1	Washer	61	65788	2	Nut
17	65810	1	Rotor Shaft RTX80	62	64479	3	Nut
	65811	1	Rotor Shaft RTX88	63	65850	1	Shaft
	65812	1	Rotor Shaft RTX96	64	65851	1	Bearing
18	65813	A/R	Speed Blade L.H.	65	65769	1	Oil Seal
19	65814	A/R	Speed Blade R.H.	66	65852	1	Cap
20	64466	A/R	Screw M14 x 1.5 x 40	67	65715	1	Hook
21	44234	A/R	Nut M14 x 1.5	68	64485	1	Screw
22	44233	A/R	Washer M14	69	65854	1	Strut
23	65815	1	Pivot	70	65855	1	Strap
24	65816	6	Key	71	65856	1	Screw
25	65817	1	Housing	72	68074	1	Category 1 Screw
26	64539	1	Oil Seal		65857	1	Category 2 Screw
27	65818	1	Bearing	73	65719	1	Category 1 Spacer
28	65819	1	Cover		65720	1	Category 2 Spacer
29	65775	4	Screw	74	64470	1	Category 1 Pin
30	65777	1	Grease Nipple		65723	1	Category 2 Pin
31	65820	1	Housing	75	65722	1	Split Pin
32	65779	25	Screw	76	65792	2	Lower Hitch Pin Cat. 1
33	65744	6	Washer		65793	2	Lower Hitch Pin Cat. 2
34	65780	12	Nut	77	65789	2	Nut
35	64480	7	Nut	78	65790	2	Washer
36	65821	3	Oil Seal	79	65714	4	Screw
37	65822	2	Bearing	80	65858	4	Screw
38	65823	1	Spacer	81	50024557	1	Skid R.H.
39	50024558	1	Skid, L.H.	82	65861	A/R	L.H. Angular Blade
40	65752	2	Height Adjuster	83	65862	A/R	R.H. Angular Blade
41	65750	2	Toothed Plate	84	65863	4	Screw
42	65751	7	Screw	85	64477	4	Nut
43	65825	1	Rear Shield RTX80	86	65864	4	Nut
	65826	1	Rear Shield RTX88	87	64461	1	Split Pin
	64848	1	Rear Shield RTX96	88	64533	2	Washer
44	65827	1	Pin RTX80	89	65865	1	Side Frame
	65828	1	Pin RTX88	90	65866	1	Washer
	65829	1	Pin RTX96	91	12119	1	Bush Hog Decal
45	65830	1	Attachment for Chain	92	61857	1	Caution Decal
46	65745	11	Screw	93	60873	1	Caution Decal
47	65831	1	Support RTX80	94	12115	1	Bush Hog Decal
	65832	1	Support RTX88	95	65732	1	RTX80 Model Decal
	65833	1	Support RTX96		65733	1	RTX88 Model Decal
					65734	1	RTX96 Model Decal
				96	50024559	2	Skid Shoe



86618 DRIVESHAFT ASSEMBLY
 (Replaces 67499 Driveshaft Assy.)
 For All Models RTX Rotary Tillers
 RTX80, RTX88, RTX96

OLD STYLE WITH CAPSCREW

NOTE: Pivots and capscrews are not interchangeable. This illustration is for capscrew and nut replacement only.

44229
M12 x 1.25

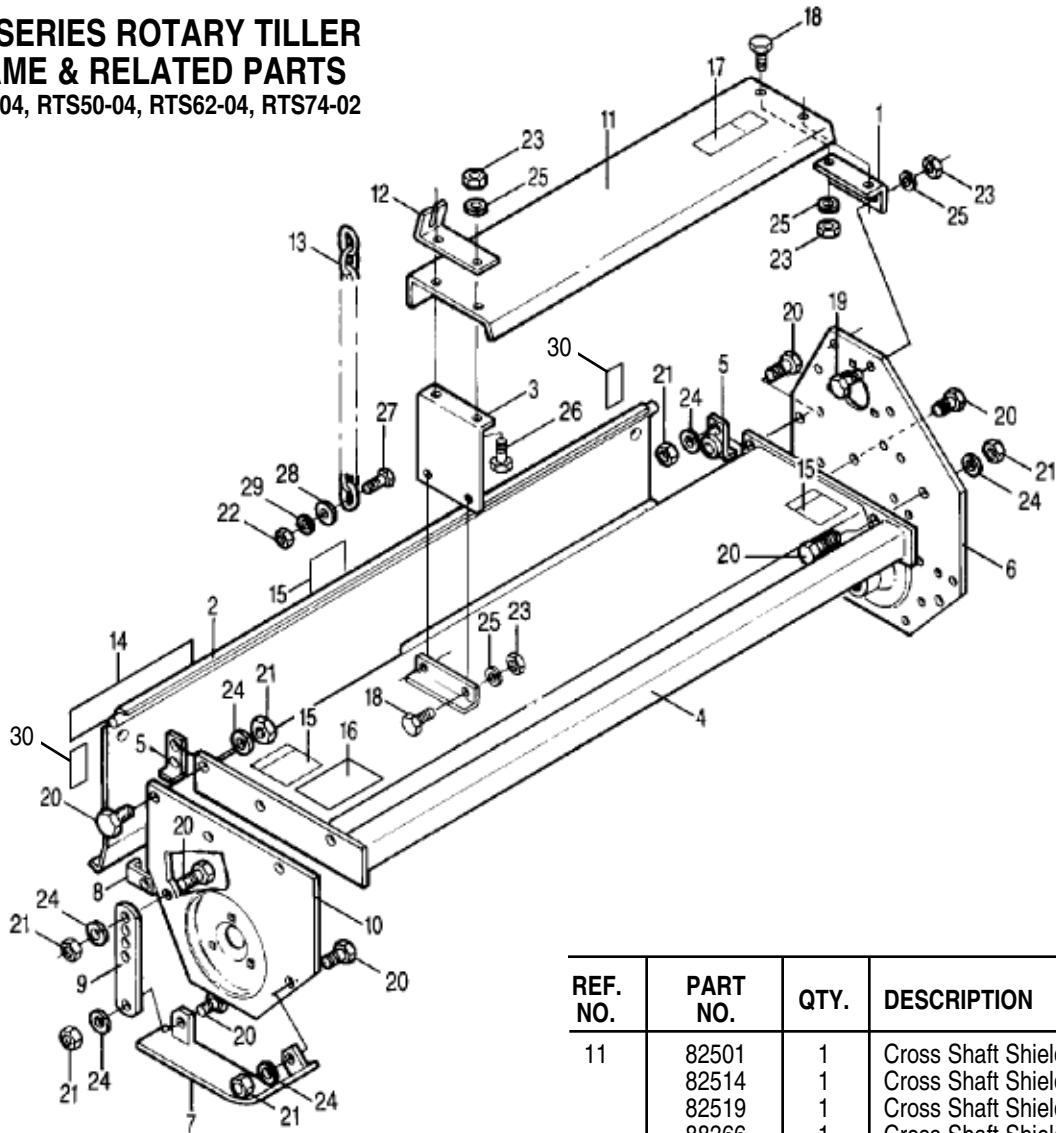
Order 86636
Brake Lining Support
(Ref. No. 12)

44228
(M12 x 1.25 x 70)

REF. NO.	PART NO.	QTY.	DESCRIPTION
1	86643	1	Inner Half Assy.
2	64963	1	Cross Bearing Kit
3	68714	1	Grease Fitting
4	68709	1	Yoke w/ Inner Shaft
5	68172	1	Yoke w/ Inner Shaft
6	68711	1	Roll Pin
7	68710	1	Inner Shaft
8	86617	1	Torque Limiter FF2
9	64992	1	Flanged Yoke
10	64828	1	Collar, Bushing
11	86636	1	Brake Lining Support w/ Pivot Assy.
12	83060	1	Pivot w/ Nut & Washer
13	64642	1	Inner Plate
14	64641	1	Pressure Plate
15	44155	8	Capscrew M10 x 1.5 x 85

REF. NO.	PART NO.	QTY.	DESCRIPTION
16	44154	8	Locknut M10
17	44244	1	Hex Nut M12 x 1.75
18	44200	1	Lockwasher M12
19	67304	1	Lining Kit
20	68180	1	Inner Guard Bearing
21	86717	1	Outer Half Assy.
22	64963	1	Cross Bearing Kit
23	68714	1	Grease Fitting
24	64973	1	Q.D. Yoke Assembly
25	63945	2	Q.D. Pin Kit
26	68712	1	Yoke w/ Outer Tube
27	68179	1	Outer Guard Bearing
28	78608	1	Danger Decal
29	78786	1	Danger Decal
30	68718	1	Safety Guard Assembly

**RTS SERIES ROTARY TILLER
FRAME & RELATED PARTS**
RTS40-04, RTS50-04, RTS62-04, RTS74-02

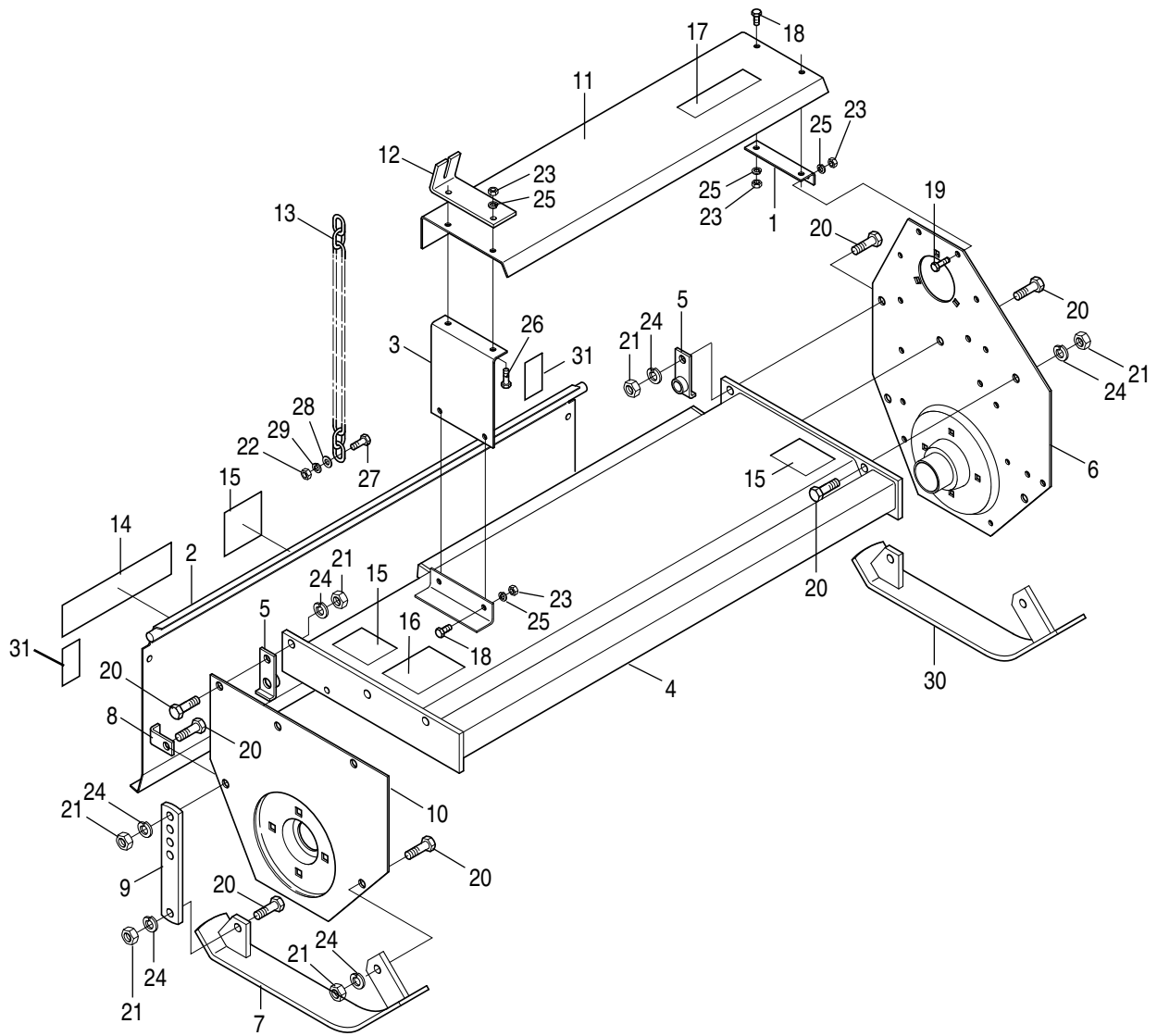


REF. NO.	PART NO.	QTY.	DESCRIPTION
1	80745	1	End Tie
2	82499	1	Rear Shield RTS40
	82506	1	Rear Shield RTS50
	81093	1	Rear Shield RTS62
	88373	1	Rear Shield RTS74
3	80744	1	Shield, End Cap RTS40, 50, 62
	88601	1	Shield, End Cap RTS74
4	82500	1	Frame w/ Decals RTS40
	82510	1	Frame w/ Decals RTS50
	81435	1	Frame w/ Decals RTS62
	88362	1	Frame w/ Decals RTS74
5	82474	2	Retainer Clip
6	82478	1	Side Plate, L.H.
7	82663	2	Skid Shoe, Weld.
8	82479	2	Shield Stop
9	80613	2	Depth Adjust. Bar
10	82477	1	Side Plate, R.H.

REF. NO.	PART NO.	QTY.	DESCRIPTION
11	82501	1	Cross Shaft Shield RTS40
	82514	1	Cross Shaft Shield RTS50
	82519	1	Cross Shaft Shield RTS62
	88366	1	Cross Shaft Shield RTS74
12	81963	1	Chain Retainer
13	82466	1	Chain
14	12115	1	Bush Hog Decal
15	81067	3	Danger Decal
16	78413	1	Warning Decal
17	80644	1	RTS40 Series Decal
	80928	1	RTS50 Series Decal
	80927	1	RTS62 Series Decal
	88365	1	RTS74 Series Decal
18	—	4	Capscrew 5/16" x 5/8" Gr.5
19	—	2	Capscrew 5/16" x 1" Gr.5
20	—	12	Capscrew 1/2" x 1-1/2" Gr.5
21	—	24	Hex Nut 1/2"
22	—	1	Hex Nut 3/8"
23	—	20	Hex Nut 5/16"
24	—	24	Lockwasher 1/2"
25	—	20	Lockwasher 5/16"
26	—	2	Capscrew 5/16" x 1-1/4" Gr.5
27	—	1	Capscrew 3/8" x 1" Gr.5
28	—	1	Flatwasher 3/8"
29	—	1	Lockwasher 3/8"
30	50031213	2	Red Reflector

RTS SERIES ROTARY TILLER FRAME & RELATED PARTS

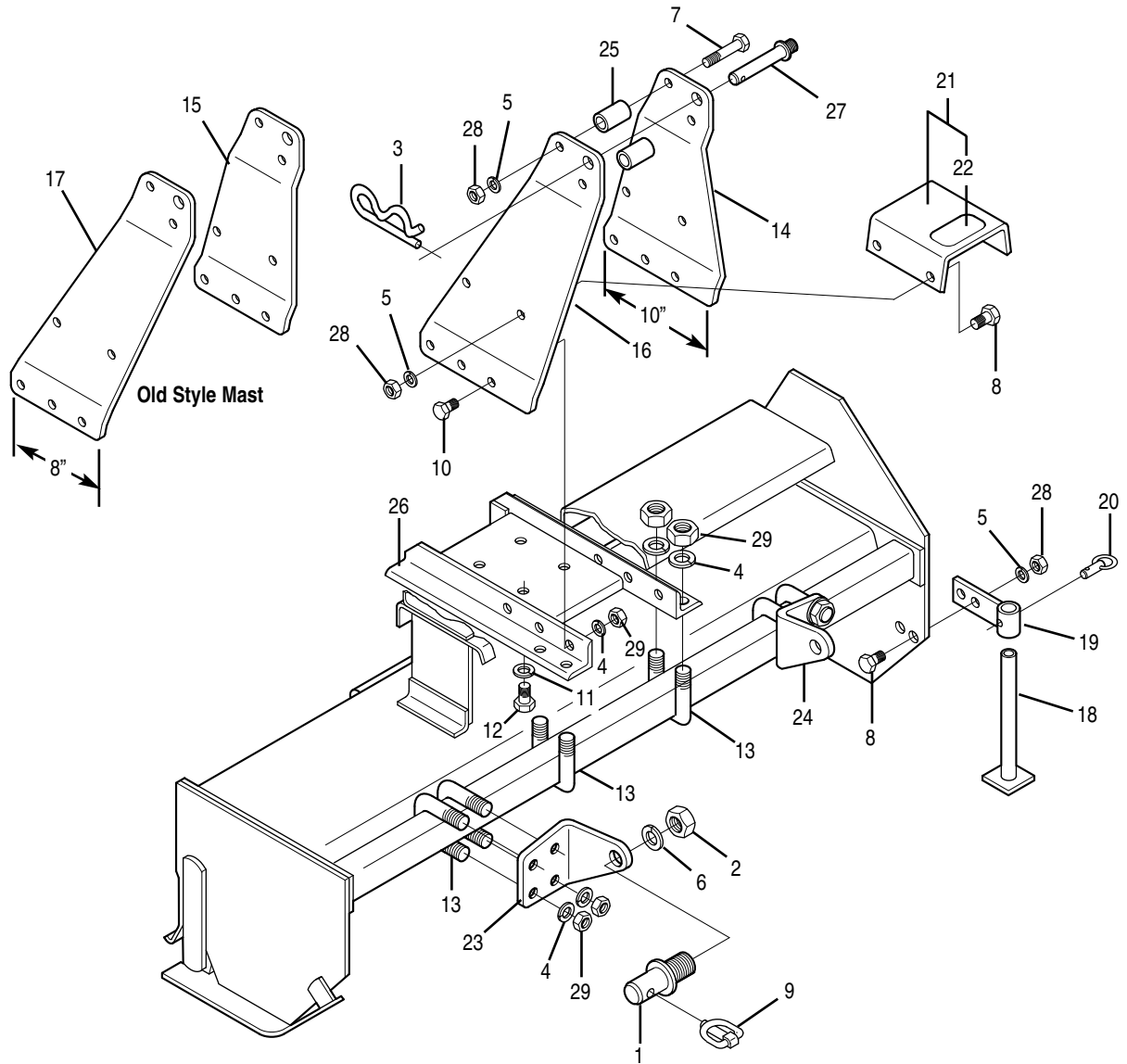
Models: RTS40-05, RTS50-05, RTS62-05, RTS74-03
RTS40-5, RTS50-5, RTS62-5, RTS74-3



**RTS SERIES ROTARY TILLER
FRAME & RELATED PARTS**
Models: RTS40-05, RTS50-05, RTS62-05, RTS74-03
RTS40-5, RTS50-5, RTS62-5, RTS74-3

REF. NO.	PART NO. RTS40	PART NO. RTS50	PART NO. RTS62	PART NO. RTS74	QTY.	DESCRIPTION
1	50056835	50056835	50056835	50056835	1	End Tie, Red
	50056834	50056834	50056834	50056834	1	End Tie, Orange
	50056833	50056833	50056833	50056833	1	End Tie, Green
	50056832	50056832	50056832	50056832	1	End Tie, Blue
2	50056795	50057057	50057073	50057089	1	Rear Shield, Red
	50056794	50057056	50057072	50057088	1	Rear Shield, Orange
	50056793	50057055	50057071	50057087	1	Rear Shield, Green
	50056792	50057054	50057070	50057086	1	Rear Shield, Blue
3	50056831	50056831	50056831	50057093	1	Shield, End Cap, Red
	50056830	50056830	50056830	50057092	1	Shield, End Cap, Orange
	50056829	50056829	50056829	50057091	1	Shield, End Cap, Green
	50056828	50056828	50056828	50057090	1	Shield, End Cap, Blue
4	50056783	50056843	50057061	50057077	1	Frame w/ Decals, Red
	50056782	50056842	50057060	50057076	1	Frame w/ Decals, Orange
	50056781	50056841	50057059	50057075	1	Frame w/ Decals, Green
	50056780	50056840	50057058	50057074	1	Frame w/ Decals, Blue
5	50056839	50056839	50056839	50056839	2	Retainer Clip, Red
	50056838	50056838	50056838	50056838	2	Retainer Clip, Orange
	50056837	50056837	50056837	50056837	2	Retainer Clip, Green
	50056836	50056836	50056836	50056836	2	Retainer Clip, Blue
6	50056827	50056827	50056827	50056827	1	Side Plate, L.H., Red
	50056826	50056826	50056826	50056826	1	Side Plate, L.H., Orange
	50056825	50056825	50056825	50056825	1	Side Plate, L.H., Green
	50056824	50056824	50056824	50056824	1	Side Plate, L.H., Blue
7	50024337	50024337	50024337	50024337	1	Skid Shoe, R.H.
8	82479	82479	82479	82479	2	Shield Stop
9	80613	80613	80613	80613	2	Depth Adjustment Bar
10	50056823	50056823	50056823	50056823	1	Side Plate, R.H., Red
	50056822	50056822	50056822	50056822	1	Side Plate, R.H., Orange
	50056821	50056821	50056821	50056821	1	Side Plate, R.H., Green
	50056820	50056820	50056820	50056820	1	Side Plate, R.H., Blue
11	50056791	50057053	50057069	50057085	1	Cross Shaft Shield, Red
	50056790	50057052	50057068	50057084	1	Cross Shaft Shield, Orange
	50056789	50057051	50057067	50057083	1	Cross Shaft Shield, Green
	50056788	50057050	50057066	50057082	1	Cross Shaft Shield, Blue
12	81963	81963	81963	81963	1	Chain Retainer
13	82466	82466	82466	82466	1	Chain
14	12115	12115	12115	12115	1	Bush Hog Decal
15	81067	81067	81067	81067	3	Danger Decal
16	78413	78413	78413	78413	1	Warning Decal
17	50055122	—	—	—	1	Model Decal, RTS40
	—	50055123	—	—	1	Model Decal, RTS50
	—	—	50055113	—	1	Model Decal, RTS62
	—	—	—	50055125	1	Model Decal, RTS74
18	—	—	—	—	4	Capscrew 5/16" x 5/8" Gr.5
19	—	—	—	—	2	Capscrew 5/16" x 1" Gr.5
20	—	—	—	—	12	Capscrew 1/2" x 1-1/2" Gr.5
21	—	—	—	—	24	Hex Nut 1/2"
22	—	—	—	—	1	Hex Nut 3/8"
23	—	—	—	—	20	Hex Nut 5/16"
24	—	—	—	—	24	Lockwasher 1/2"
25	—	—	—	—	20	Lockwasher 5/16"
26	—	—	—	—	2	Capscrew 5/16" x 1-1/4" Gr.5
27	—	—	—	—	1	Capscrew 3/8" x 1" Gr.5
28	—	—	—	—	1	Flatwasher 3/8"
29	—	—	—	—	1	Lockwasher 3/8"
30	50024338	50024338	50024338	50024338	1	Skid Shoe, LH
31	50031213	50031213	50031213	50031213	2	Red Reflector

HITCH, STAND & RELATED PARTS RTS40-04, RTS50-04, RTS62-04, RTS74-02

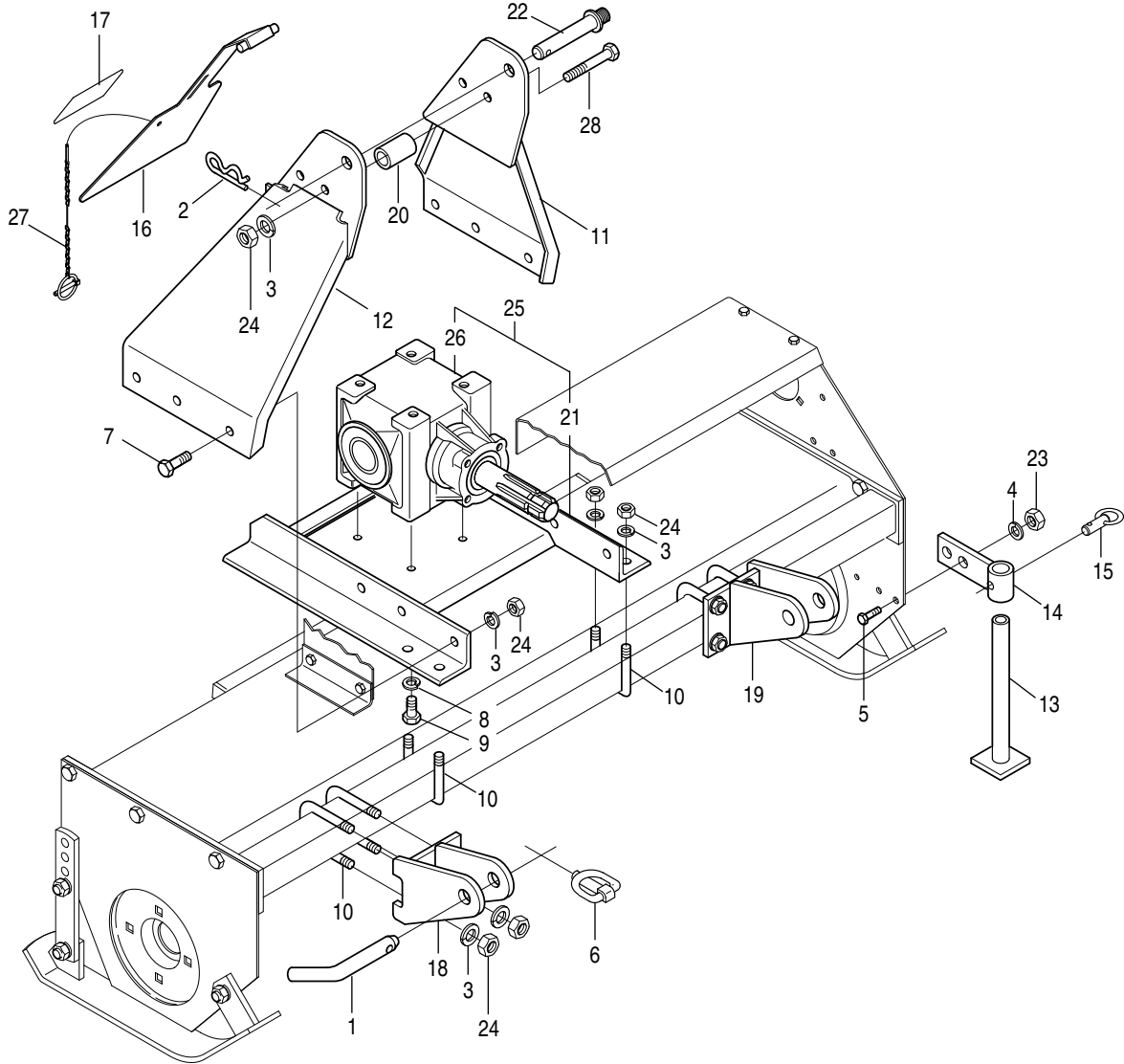


REF. NO.	PART NO.	QTY.	DESCRIPTION
1	65	2	Lift Arm Pin
2	44061	2	Hex Nut 7/8"
3	15454	1	Presto Pin
4	—	14	Lockwasher 1/2"
5	—	8	Lockwasher 3/8"
6	—	2	Lockwasher 7/8"
7	—	2	Capscrew 3/8" x 3" Gr. 5
8	—	6	Capscrew 3/8" x 1" Gr. 5
9	20558	2	Lynch Pin
10	—	6	Capscrew 1/2" x 1-1/4" Gr. 5
11	—	4	Lockwasher 3/8"
12	—	4	Capscrew 3/8" x 1-1/4" Gr.5
13	80601	4	U-Bolt 1/2" - 13 UNC
14	93457	1	Mast, L.H. (New Style 10")
15	80749	1	Mast, L.H. (Old Style 8")

REF. NO.	PART NO.	QTY.	DESCRIPTION
16	93456	1	Mast, R.H. (New Style 10")
17	80750	1	Mast, R.H. (Old Style 8")
18	88602	1	Stand Weldment
19	88605	1	Stand Securing Weldment
20	80833	1	Klik Pin
21	81434	1	PTO Shield Assembly
22	60873	1	Caution Decal
23	81475	1	Hitch Lug, R.H.
24	81476	1	Hitch Lug, L.H.
25	81497	2	Mast Spacer
26	88354	1	Gearbox Mount Weldment
27	1424173	1	Top Link Pin
28	—	8	Hex Nut 3/8"
29	—	14	Hex Nut 1/2"

HITCH, STAND & RELATED PARTS

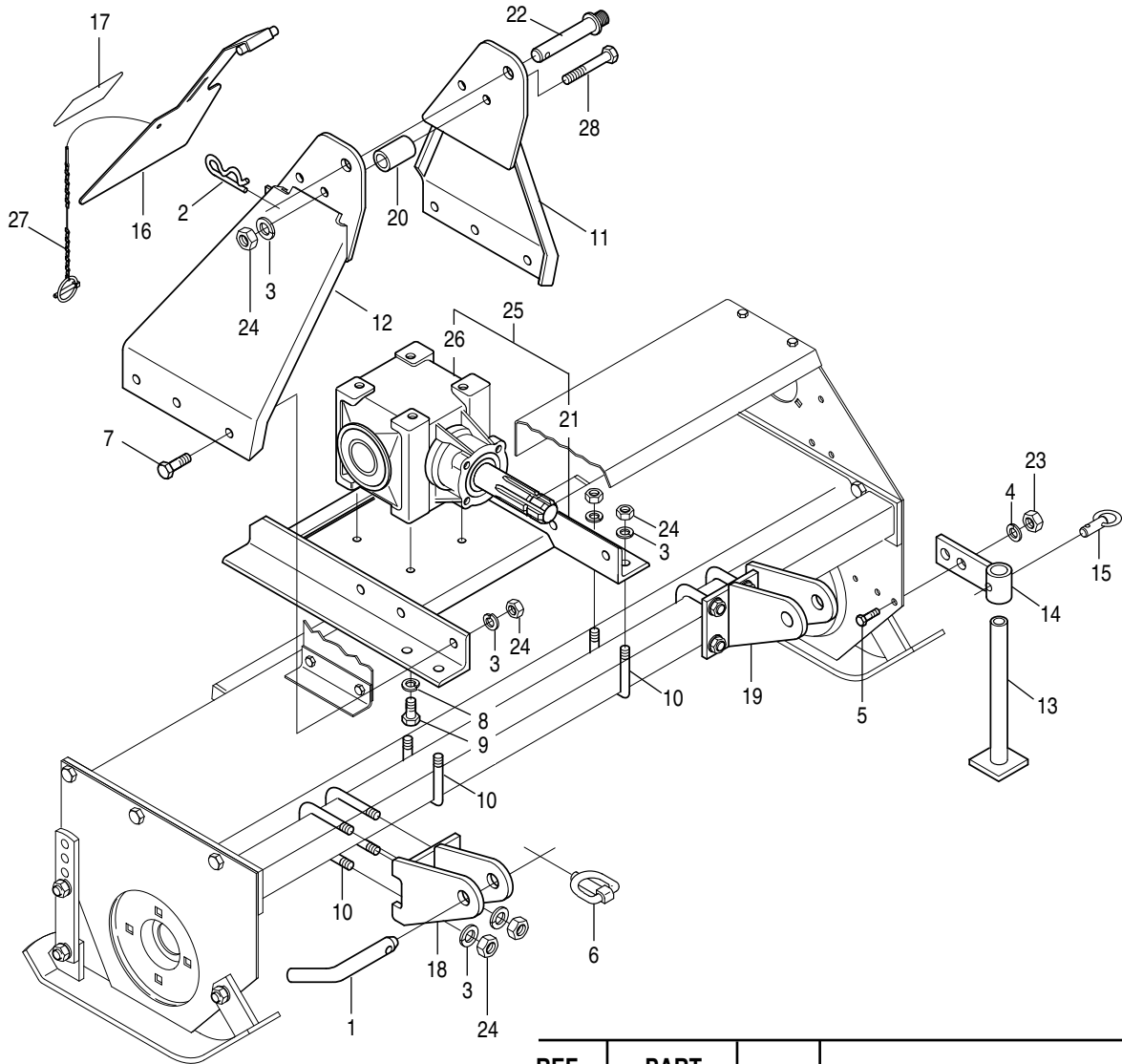
Models RTS40-05, RTS50-05, RTS62-05, RTS74-03



REF. NO.	PART NO.	QTY.	DESCRIPTION
1	50024321	2	Hitch Pin
2	15454	1	Presto Pin
3	—	15	Lockwasher 1/2"
4	—	3	Lockwasher 3/8"
5	—	3	Capscrew 3/8" x 1" Gr. 5
6	20558	2	Lynch Pin
7	—	6	Capscrew 1/2" x 1-1/4" Gr. 5
8	—	4	Lockwasher 3/8"
9	—	4	Capscrew 3/8" x 1-1/4" Gr.5
10	80601	4	U-Bolt 1/2" - 13 UNC
11	50024323	1	Mast, L.H.
12	50024331	1	Mast, R.H.
13	88602	1	Stand Weldment
14	88605	1	Stand Securing Weldment

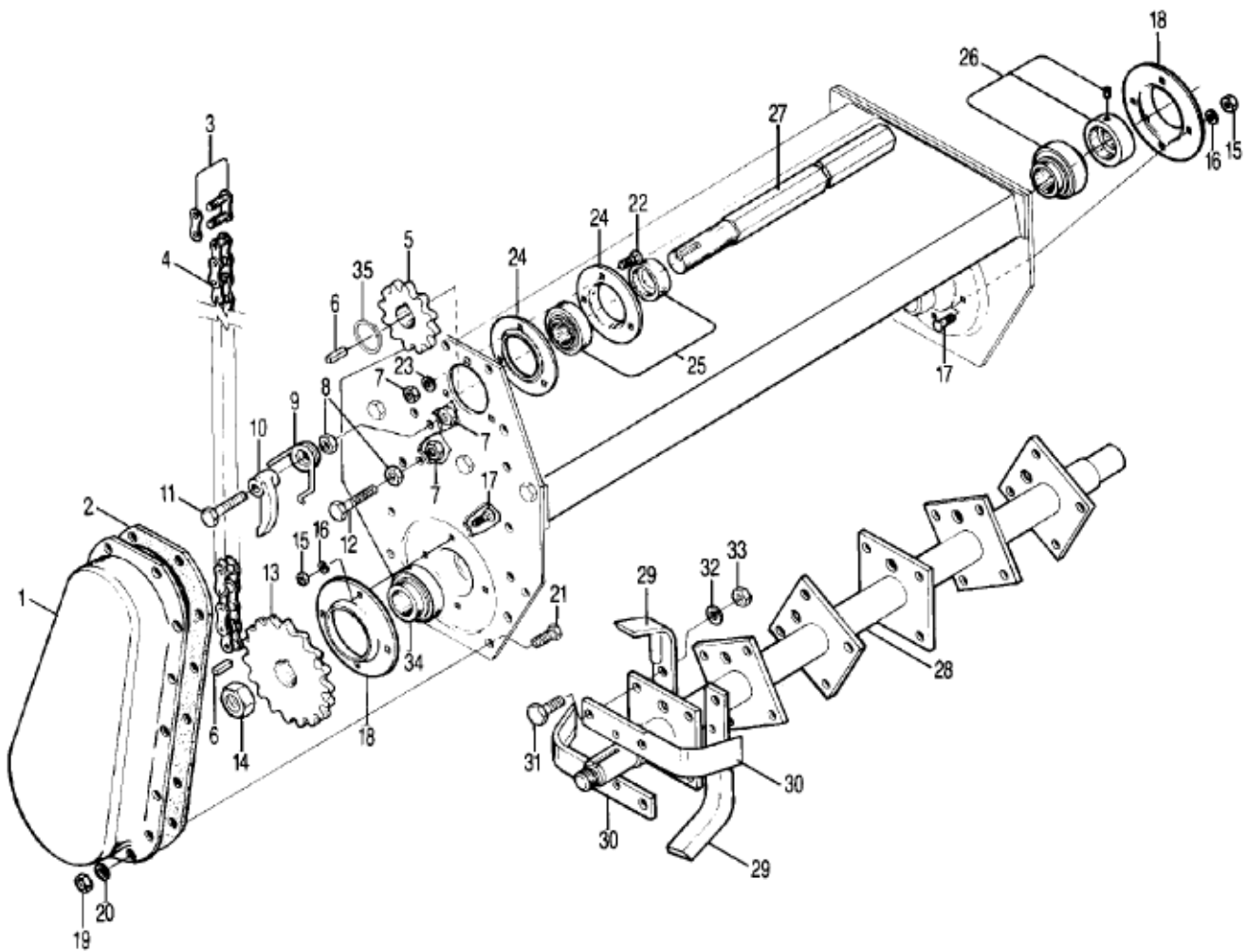
REF. NO.	PART NO.	QTY.	DESCRIPTION
15	80833	1	Klik Pin
16	50024302	1	PTO Shield Assembly
17	50042281	1	Caution Decal
18	50024315	1	Hitch Lug, R.H.
19	50024316	1	Hitch Lug, L.H.
20	50024320	1	Mast Spacer
21	50024344	1	Gearbox Mount Weldment
22	1424173	1	Top Link Pin
23	—	3	Hex Nut 3/8"
24	—	15	Hex Nut 1/2"
25	50024343	1	Gearbox Mount w/ Gearbox
26	70608	1	Gearbox (See Parts Breakdown)
27	6050096	1	Klik Pin w/ Chain
28	—	1	Capscrew 1/2" x 3-1/4"

HITCH, STAND & RELATED PARTS Models RTS40-5, RTS50-5, RTS62-5, RTS74-3



REF. NO.	PART NO.	QTY.	DESCRIPTION
1	50024321	2	Hitch Pin
2	15454	1	Presto Pin
3	—	15	Lockwasher 1/2"
4	—	3	Lockwasher 3/8"
5	—	3	Capscrew 3/8" x 1" Gr. 5
6	20558	2	Lynch Pin
7	—	6	Capscrew 1/2" x 1-1/4" Gr. 5
8	—	4	Lockwasher 1/2"
9	—	4	Capscrew 1/2" x 1" Gr.5
10	80601	4	U-Bolt 1/2" - 13 UNC
11	50024323	1	Mast, L.H.
12	50024331	1	Mast, R.H.
13	88602	1	Stand Weldment
14	88605	1	Stand Securing Weldment
15	80833	1	Klik Pin

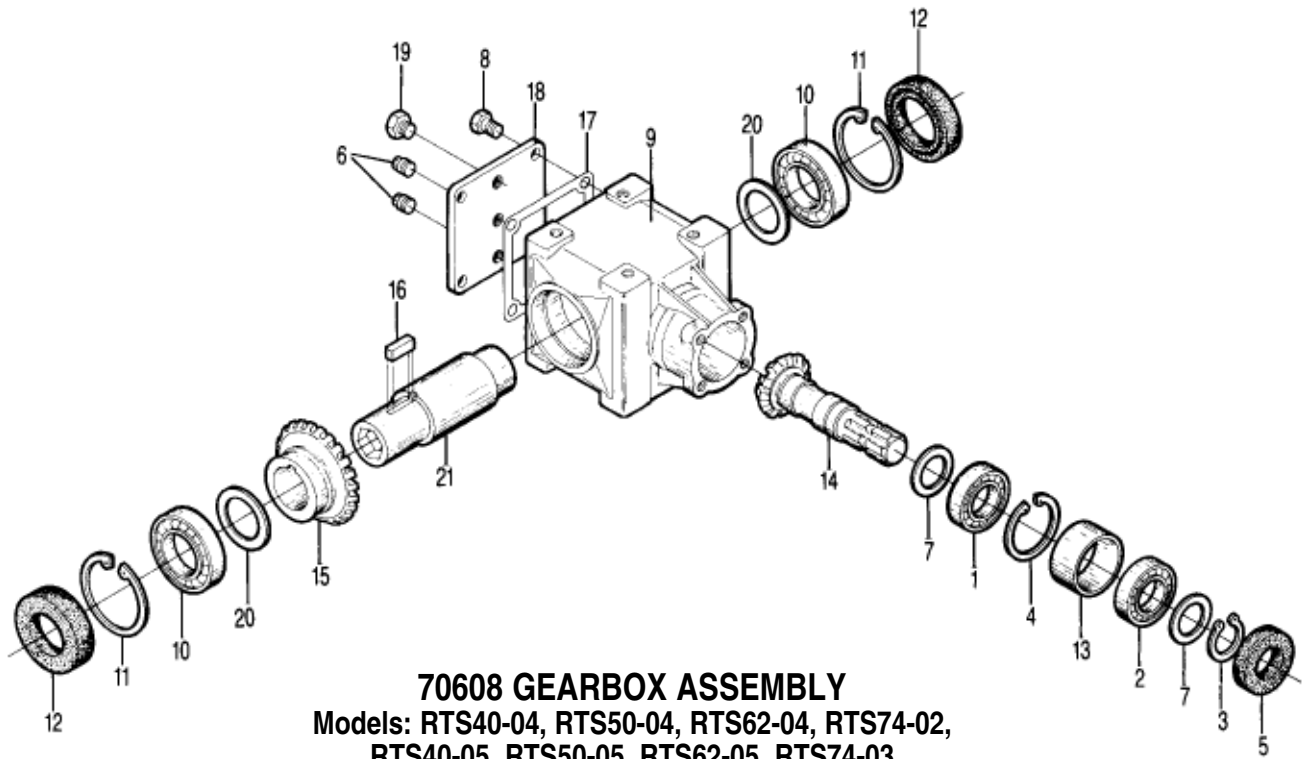
REF. NO.	PART NO.	QTY.	DESCRIPTION
16	50056799	1	PTO Shield Assembly, Red
	50056798	1	PTO Shield Assembly, Orange
	50056797	1	PTO Shield Assembly, Green
	50056796	1	PTO Shield Assembly, Blue
17	50042281	1	Caution Decal
18	50024315	1	Hitch Lug, R.H.
19	50024316	1	Hitch Lug, L.H.
20	50024320	1	Mast Spacer
21	50047009	1	Gearbox Mount Weldment
22	1424173	1	Top Link Pin
23	—	3	Hex Nut 3/8"
24	—	15	Hex Nut 1/2"
25	50058170	1	Gearbox Mount w/ Gearbox, Red
	50058169	1	Gearbox Mount w/ Gearbox, Orange
	50058168	1	Gearbox Mount w/ Gearbox, Green
	50058167	1	Gearbox Mount w/ Gearbox, Blue
26	—	1	Gearbox (See Parts Breakdown)
27	6050096	1	Klik Pin w/ Chain
28	—	1	Capscrew 1/2" x 3-1/4"



DRIVES & ROTOR
RTS Series Rotary Tiller

REF. NO.	PART NO.	QTY.	DESCRIPTION
1	80625	1	Chain Cover
2	81199	1	Chain Cover Gasket
3	81136	1	Connector Link
4	81102	1	Drive Chain #80 - 41 Pitch
5	82473	1	Drive Sprocket 12 Tooth
6	50034812	2	Key, Square 3/8" x 1.25"
7	—	5	Hex Nut 3/8"
8	20363	2	Jam Nut 3/8"
9	81786	1	Chain Tensioner Spring
10	81145	1	Chain Tensioner
11	—	1	Capscrew 3/8" x 2-1/2" Gr.5
12	—	1	Capscrew 3/8" x 1-1/2" Gr.5
13	82472	1	Rotor Drive Sprocket 18 Tooth
14	82480	1	Lock Jam Nut 1-1/8"
15	—	8	Hex Nut 1/2"
16	—	8	Lockwasher 1/2"
17	5161610	8	Carriage Bolt 1/2" x 1"
18	60-50-091	2	Bearing Flange
19	—	14	Hex Nut 5/16"
20	—	14	Lockwasher 5/16"
21	—	16	Capscrew 5/16" x 5/8" Gr.5

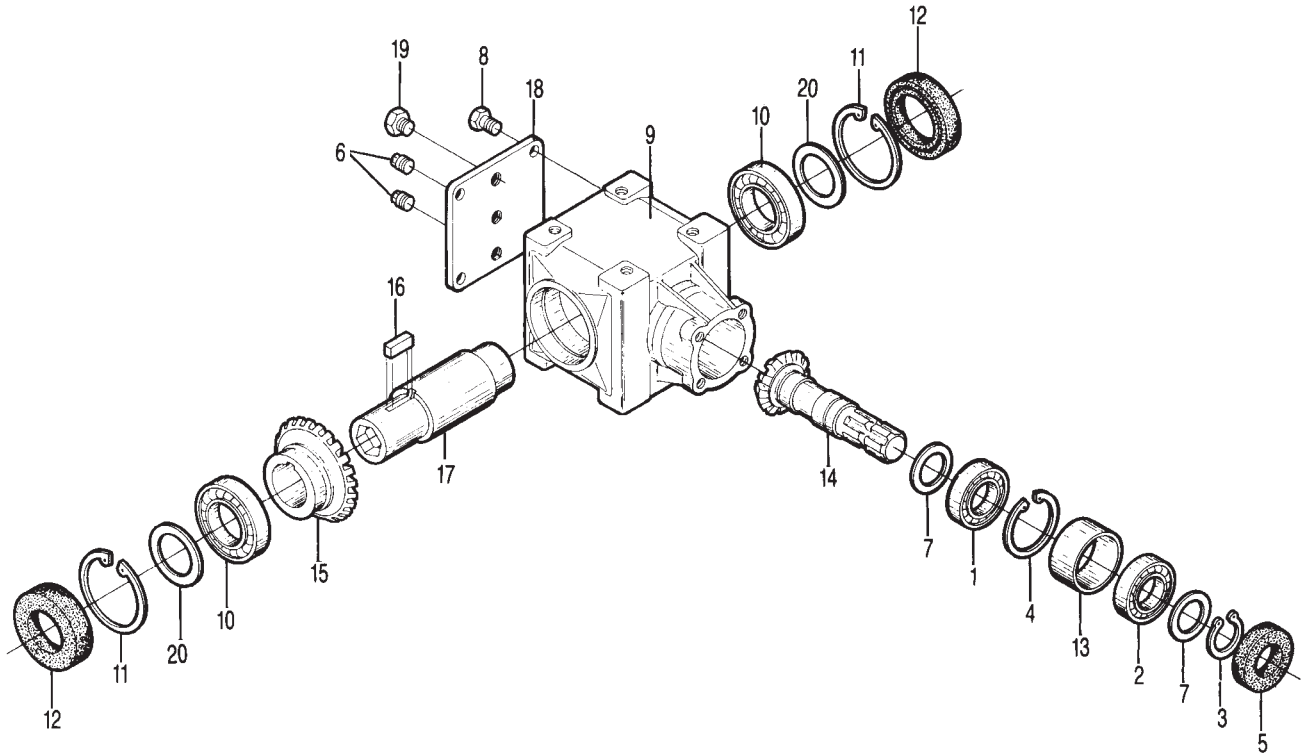
REF. NO.	PART NO.	QTY.	DESCRIPTION
22	44109	3	Carriage Bolt 3/8" x 1" Gr.5
23	—	3	Lockwasher 3/8"
24	1550255	2	Bearing Flange
25	81458	1	Bearing Assembly
26	82476	1	Bearing Assembly
27	82496	1	Driveshaft (RTS40)
	82518	1	Driveshaft (RTS50)
	80694	1	Driveshaft (RTS62)
	88356	1	Driveshaft (RTS74)
28	50046845	1	Rotor Shaft (RTS40)
	50046846	1	Rotor Shaft (RTS50)
	50046847	1	Rotor Shaft (RTS62)
	50046848	1	Rotor Shaft (RTS74)
29	50018181	A/R	Blade L.H.
30	50018180	A/R	Blade R.H.
31	—	A/R	Capscrew 7/16" x 1-1/2" Gr.5
32	—	A/R	Lockwasher 7/16"
33	—	A/R	Hex Nut 7/16"
34	82475	1	Bearing Assembly
35	81445	1	Ext. Retaining Ring



70608 GEARBOX ASSEMBLY

**Models: RTS40-04, RTS50-04, RTS62-04, RTS74-02,
RTS40-05, RTS50-05, RTS62-05, RTS74-03**

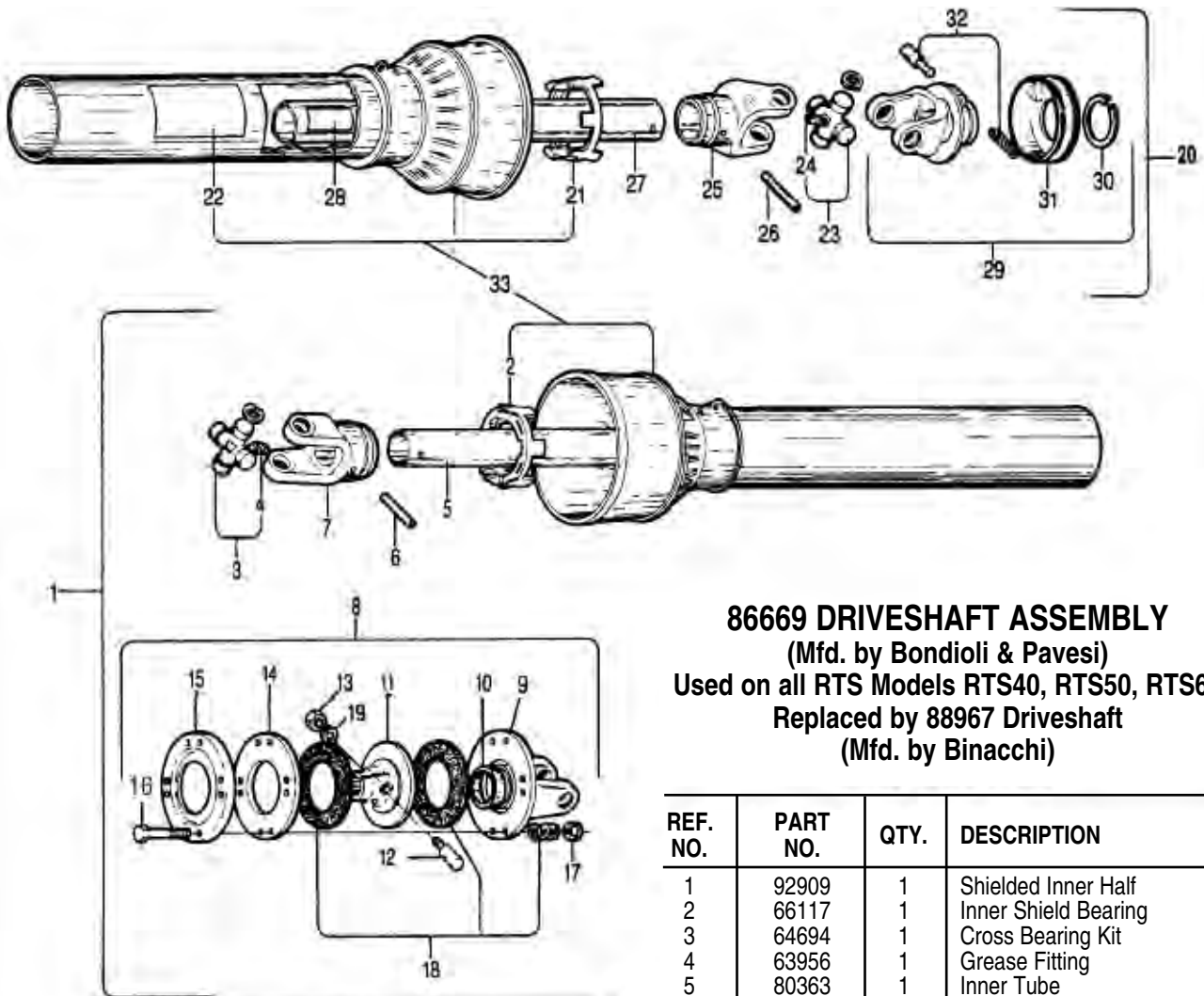
REF. NO.	PART NO.	QTY.	DESCRIPTION
1	70797	1	Bearing
2	70229	1	Bearing
3	70110	1	External Clip
4	70133	1	Internal Clip
5	70134	1	Dust Excluder
6	70292	2	Plug
7	70329	1	Shim .3mm Thick
	70330	1	Shim .4mm Thick
	70331	1	Shim .5mm
	70332	1	Shim 1.3mm Thick
8	70618	4	Capscrew M10 x 20 Gr.8.8
9	70667	1	Casing
10	70668	2	Bearing
11	70669	2	Internal Clip
12	70670	2	Dust Excluder
13	70671	1	Spacer
14	70672	1	Pinion Shaft, 12 Teeth
15	70673	1	Crownwheel, 23 Teeth
16	70674	1	Key 14 x 9 x 35
17	70675	1	Gasket
18	70676	1	Cover
19	81572	1	Vent Plug Assembly
20	70678	1	Shim
	70679	1	Shim
	70680	1	Shim
	70681	1	Shim
21	70682	1	Sleeve



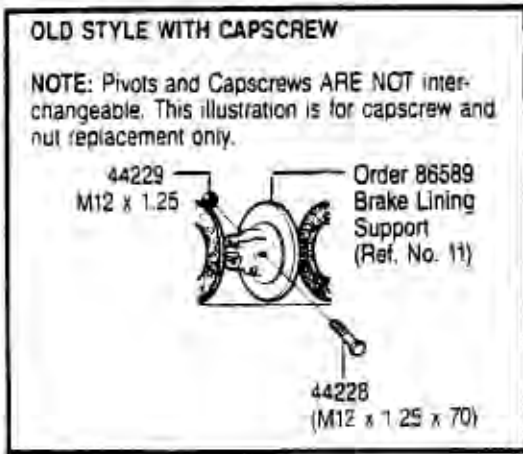
71521 GEARBOX ASSEMBLY

Models: RTS40-5, RTS50-5, RTS62-5, RTS74-3

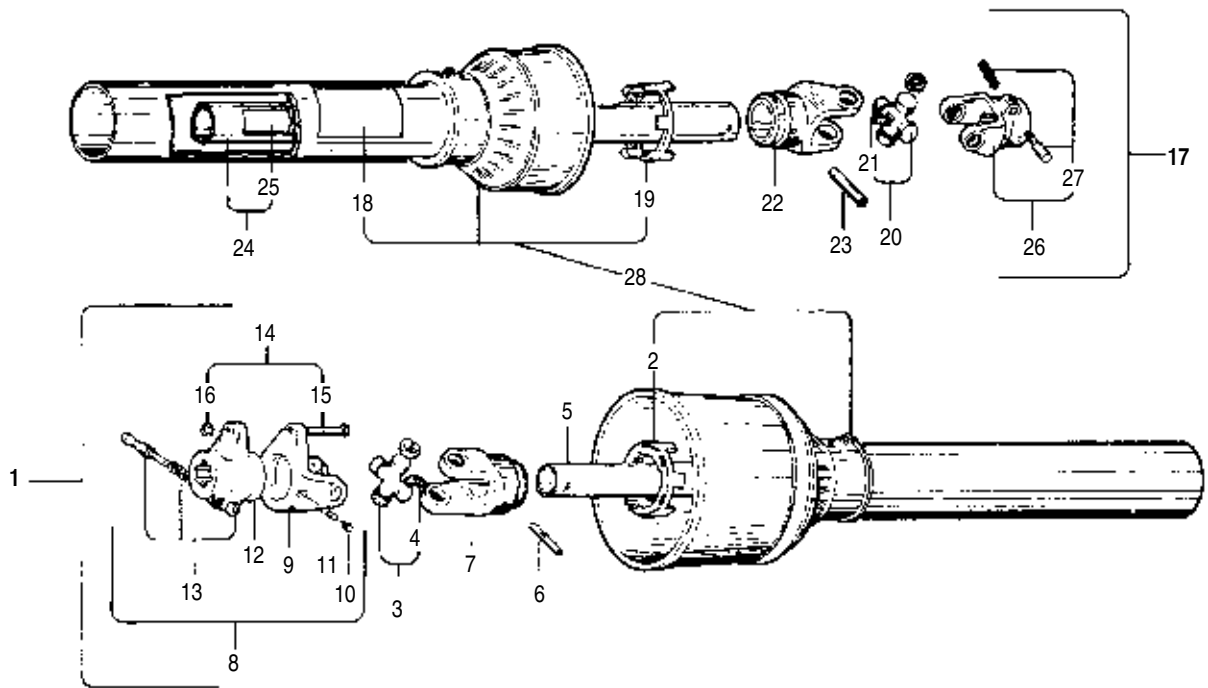
REF. NO.	PART NO.	QTY.	DESCRIPTION
1	71388	1	Roller Bearing
2	71453	1	Ball Bearing 6207
3	70110	1	External Clip
4	70133	1	Internal Clip
5	70134	1	Dust Excluder
6	70292	2	Plug
7	70329	1	Shim .3mm Thick
	70330	1	Shim .4mm Thick
	70331	1	Shim .5mm
	70332	1	Shim 1.3mm Thick
8	70618	4	Capscrew M10 x 20 Gr.8.8
9	71522	1	Machined Casting
10	70668	2	Ball Bearing 6012
11	70669	2	Internal Clip
12	70670	2	Dust Excluder
13	70671	1	Spacer
14	70672	1	Pinion Shaft, 12 Teeth
15	70673	1	Crownwheel, 23 Teeth
16	70674	1	Key 14 x 9 x 35
17	70682	1	Sleeve, Hexagonal, 1-1/2"
18	70676	1	Cover
19	81572	1	Vent Plug Assembly
20	70678	1	Shim
	70679	1	Shim
	70680	1	Shim
	70681	1	Shim



86669 DRIVESHAFT ASSEMBLY
 (Mfd. by Bondioli & Pavesi)
 Used on all RTS Models RTS40, RTS50, RTS62
 Replaced by 88967 Driveshaft
 (Mfd. by Binacchi)

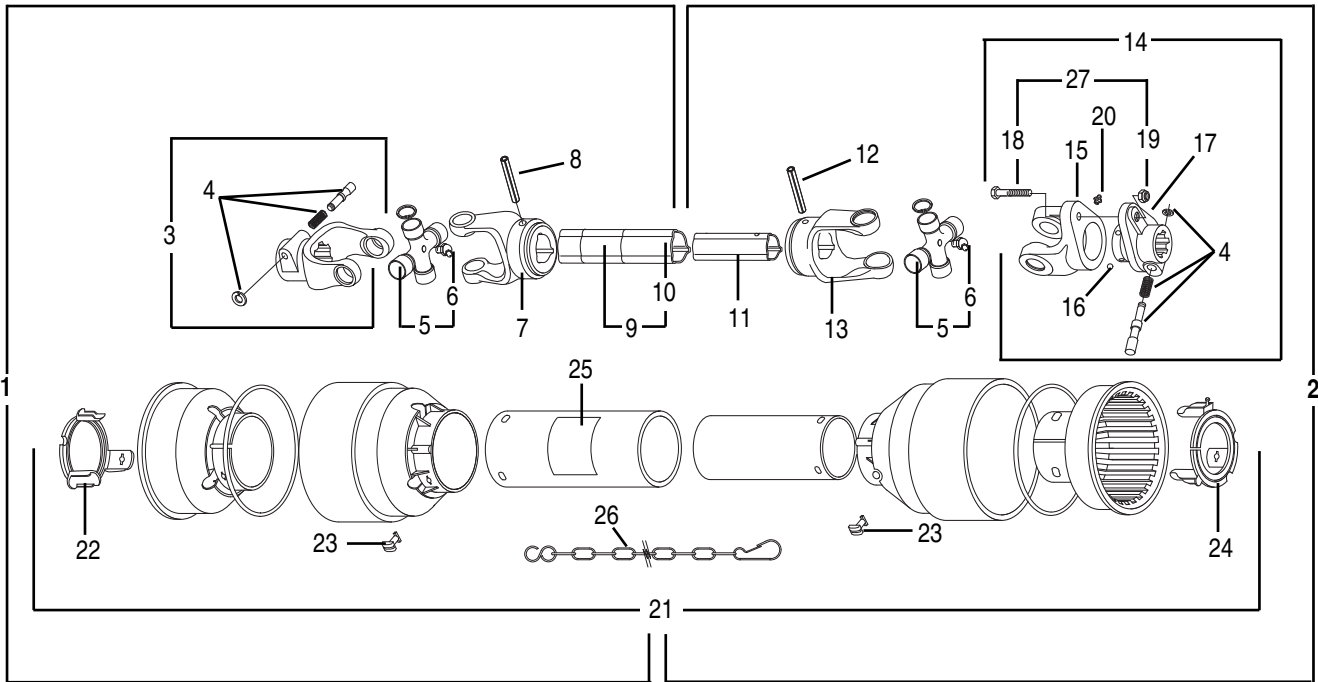


REF. NO.	PART NO.	QTY.	DESCRIPTION
1	92909	1	Shielded Inner Half
2	66117	1	Inner Shield Bearing
3	64694	1	Cross Bearing Kit
4	63956	1	Grease Fitting
5	80363	1	Inner Tube
6	78578	1	Roll Pin
7	78570	1	Yoke for Inner Tube
8	86667	1	Torque Limiter
9	68969	1	Flanged Yoke
10	64828	1	Collar Bushing
11	86589	1	Brake Lining Support w/ Pivot
12	83060	1	Pivot w/ Nut & Washer
13	44244	1	Hex Nut M12 x 1.75
14	64650	1	Inner Plate 4mm
15	64649	1	Pressure Plate
16	44155	8	Capscrew M10 x 1.5 x 85
17	44154	8	Locknut M10 x 1.5
18	67303	1	Clutch Kit
19	44200	1	Lockwasher M12
20	92429	1	Shielded Outer Half
21	66120	1	Outer Shield Bearing
22	78608	1	Danger Decal
23	64694	1	Cross Bearing Kit
24	63956	1	Grease Fitting
25	78571	1	Yoke for Outer Tube
26	78577	1	Roll Pin
27	80364	1	Outer Tube
28	78786	1	Danger Decal
29	78579	1	R.S. Yoke Assembly
30	78576	1	Ring
31	78573	1	Ring
32	63945	1	Q.D. Pin Kit
33	92910	1	Safety Guard Assembly



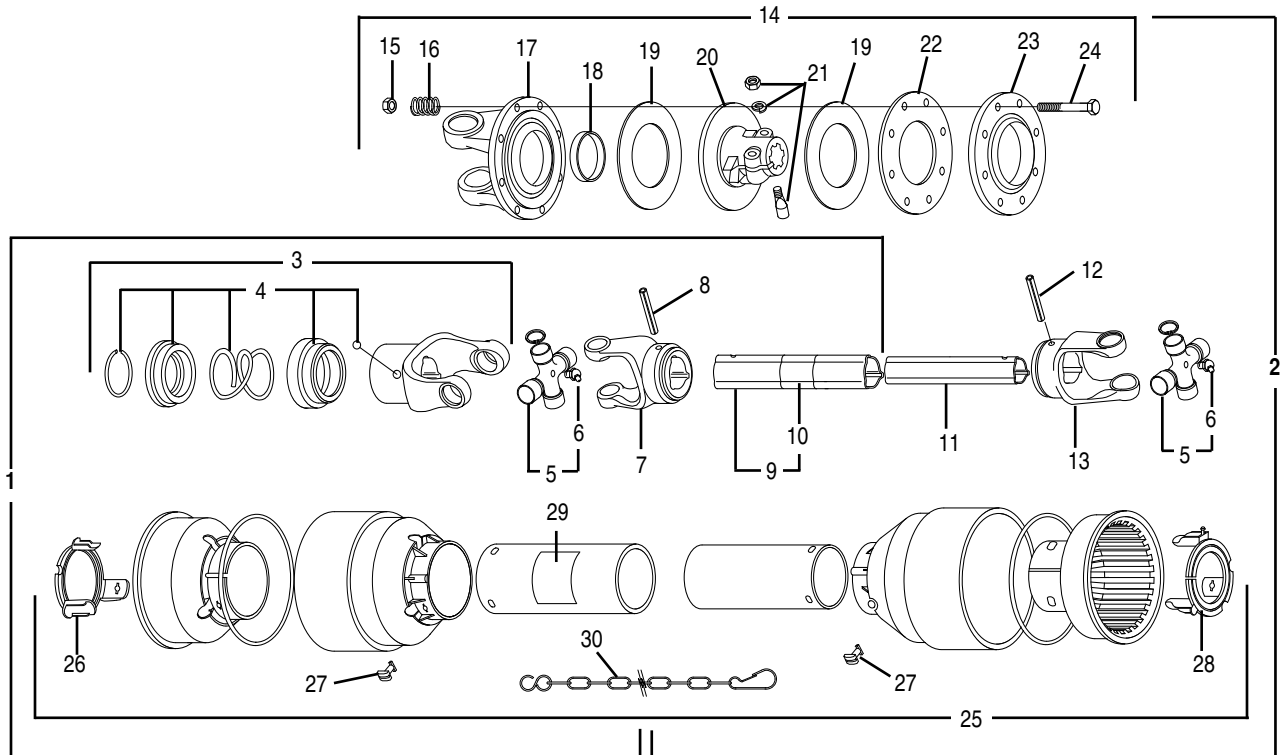
82470 DRIVESHAFT ASSEMBLY
 Mfd. by Bondioli & Pavesi
 Replaced by 50034278 Driveshaft (Binacchi)
 May substitute 93363 Driveshaft (Mfd. by EG)
 Used on Models RTS40, RTS50, RTS62, RTS74

REF. NO.	PART NO.	QTY.	DESCRIPTION	REF. NO.	PART NO.	QTY.	DESCRIPTION
1	50035266	1	Shielded Inner Half	17	82855	1	Shielded Outer Half
2	66117	1	Inner Guard Bearing	18	64571	1	Danger Decal
3	64694	1	Cross Bearing Kit	19	66120	1	Outer Guard Bearing
4	63956	1	Grease Fitting	20	64694	1	Cross Bearing Kit
5	82854	1	Inner Tube	21	63956	1	Grease Fitting
6	78578	1	Roll Pin	22	78571	1	Outer Tube Yoke
7	78570	1	Inner Tube Yoke	23	78577	1	Roll Pin
8	69441	1	Shear Bolt Limiter	24	82853	1	Inner Tube
9	69440	1	Shear Limiter Housing	25	78786	1	Danger Decal
10	69439	1	Grease Fitting	26	64692	1	Q.D. Yoke Assembly
11	65224	23	Ball	27	63945	1	Q.D. Pin Kit
12	69438	1	Shear Limiter	28	50035267	1	Safety Guard Assembly
13	65291	1	Q.D. Pin Kit				
14	81976	1	Shear Bolt Kit				
15	44275	5	Capscrew M8 x 1.25 x 50				
16	44185	5	Locknut M8				



93363 DRIVESHAFT ASSEMBLY
 Mfd. by EG
 May substitute 82470 Driveshaft
 Mfd. by Bondioli & Pavesi
 Used on Models RTS40, RTS50, RTS62, RTS72
 Replaced by 50053124

REF. NO.	PART NO.	QTY.	DESCRIPTION
1	76114	1	Outer Half w/ Shield
2	76101	1	Inner Half w/ Shield
3	64692	1	Yoke & Pin Assy.
4	76062	2	Q.D. Pin Kit
5	64694	2	Cross Bearing Kit
6	63956	2	Grease Fitting
7	78571	1	Outer Yoke
8	78577	1	Roll Pin Outer Tube
9	82853	1	Outer Tube
10	78786	1	Danger Decal
11	82854	1	Inner Tube
12	78578	1	Roll Pin Inner Tube
13	78570	1	Inner Yoke
14	76151	1	Shear Yoke Assy.
15	76160	1	Yoke
16	76202	23	Ball
17	76127	1	Hub
18	44192	6	Capscrew
19	44306	6	Hex Nut
20	63946	1	Grease Fitting
21	76139	6	Complete Shield
22	76192	1	Outer Bearing
23	87992	6	Shield Bolt
24	76191	1	Inner Bearing
25	78608	1	Danger Decal
26	64814	2	Safety Chain
27	68946	1	Shear Bolt Kit (Contains 5 each)



76748 DRIVESHAFT ASSEMBLY WITH SLIP CLUTCH

Manufactured by Comer / EG

Replaces 93052 Driveshaft (Mfd. by Comer / EG)

May substitute 88967 Driveshaft (Mfd. by Bondioli & Pavesi)

Used On All RTS Models

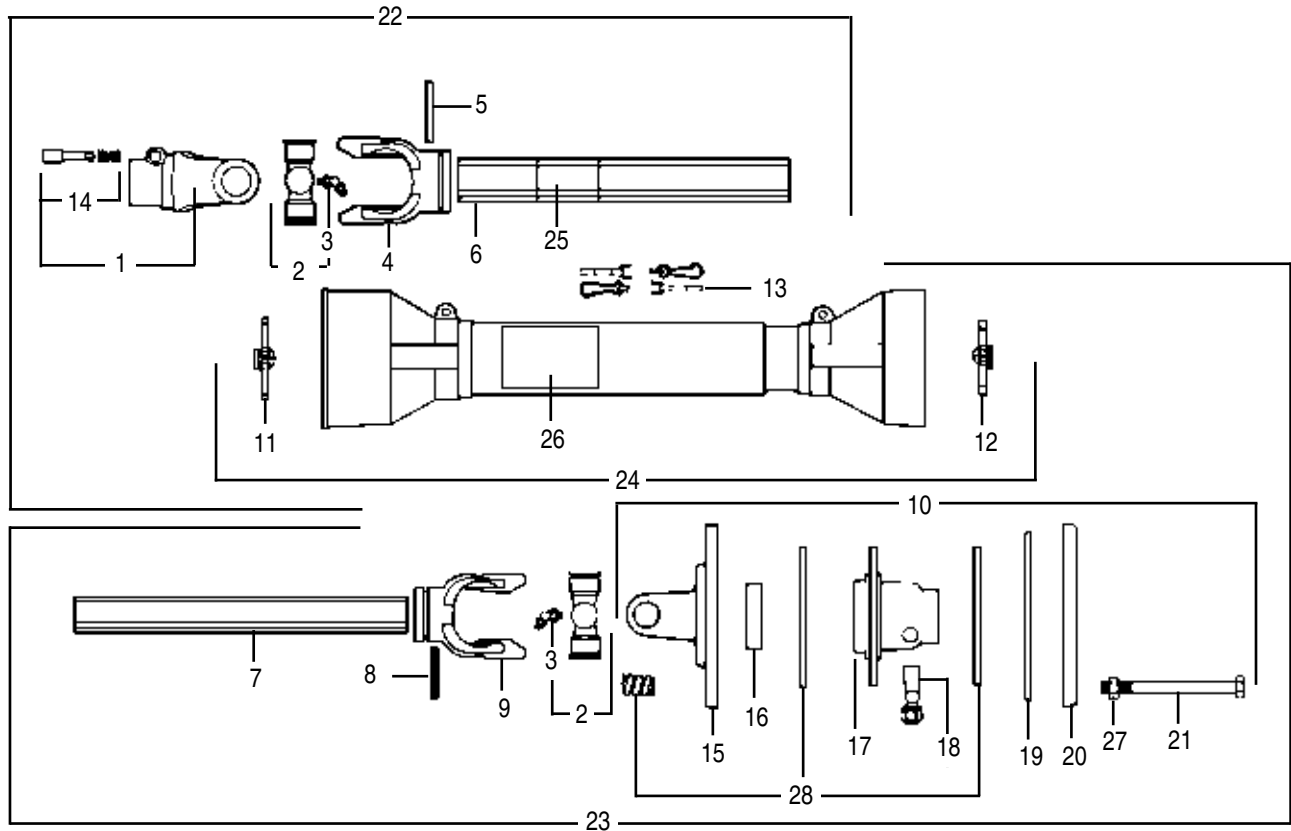
Replaced by 50053128

REF. NO.	PART NO.	QTY.	DESCRIPTION
1	76827	1	Outer Half w/ Shield
2	76208	1	Inner Half w/ Shield
3	76711	1	Complete Collar Yoke
4	50017480	1	Ball Collar Kit 1-3/8"
5	64694	2	Cross Bearing Kit
6	63956	2	Grease Fitting
7	78571	1	Outer Yoke
8	78577	1	Roll Pin Outer Yoke
9	80364	1	Outer Tube
10	78786	1	Danger Decal
11	80363	1	Inner Tube
12	78578	1	Roll Pin Inner Tube
13	78570	1	Inner Yoke
14	76152	1	Slip Clutch Assy.
15	44298	8	Hex Nut
16	76080	8	Spring
17	76159	1	Flange
18	76195	1	Bushing
19	76194	2	Lining
20	76161	1	Support
21	76064	1	Taper Pin Kit

76062 Push Pin Kit

Note: Some early driveshafts were shipped with push pins on the tractor yoke end. Order 76062 to replace pin kit. Order 76711 for complete yoke replacement.

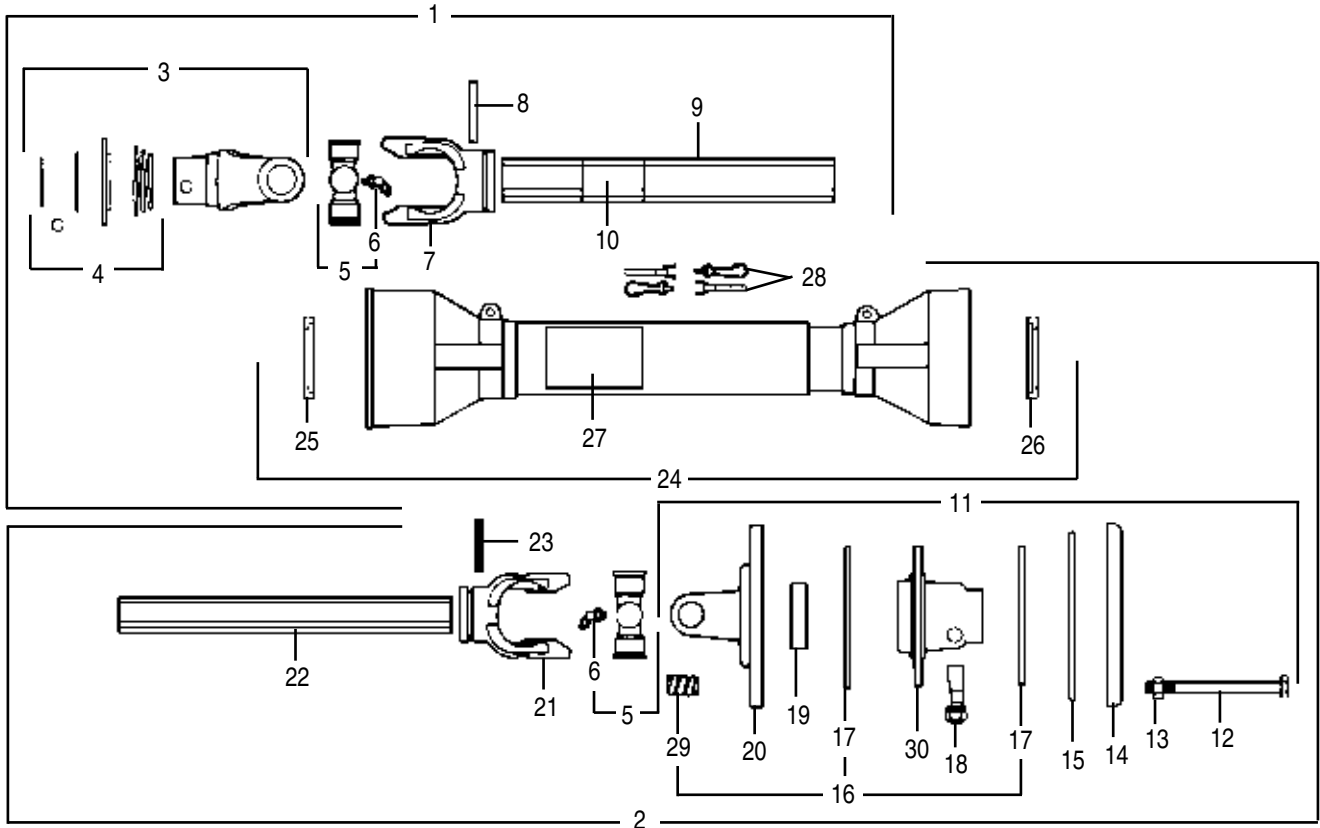
REF. NO.	PART NO.	QTY.	DESCRIPTION
22	N/A	1	Inner Plate
23	76196	1	Pressure Plate
24	44300	8	Capscrew
25	76206	1	Complete Shield
26	76192	1	Outer Bearing
27	87992	6	Shield Bolt
28	76191	1	Inner Bearing
29	78608	1	Danger Decal
30	64814	2	Safety Chain



88967 DRIVESHAFT ASSEMBLY
 Mfd. by Binacchi
 Replaced by 50034245 Driveshaft (Binacchi)
 May substitute 93052 Driveshaft
 Mfd. by Comer / EG

REF. NO.	PART NO.	QTY.	DESCRIPTION
1	64692	1	Yoke
2	64694	2	Cross Journal Set
3	63956	2	Grease Nipple
4	78571	1	Outer Tube Yoke
5	78577	1	Flexible Pin
6	80364	1	Cm. Cardan Tube
7	80363	1	Cm. Cardan Tube
8	78578	1	Flexible Pin
9	78570	1	Inner Tube Yoke
10	86667	1	Torque Limiter
11	90008	1	Outer Bearing
12	50042832	1	Inner Bearing
13	64814	2	Chain
14	63945	1	Complete Push Button

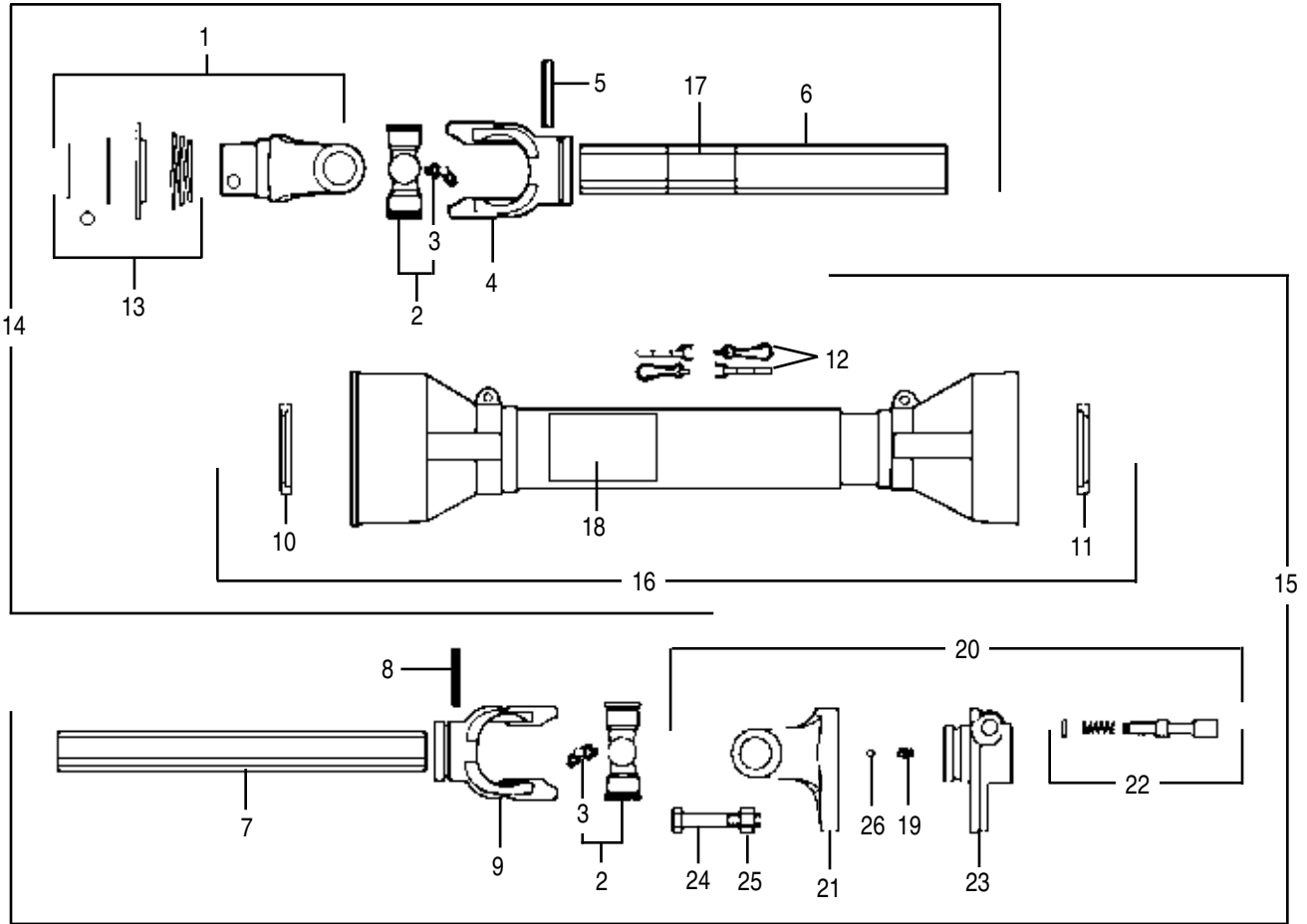
REF. NO.	PART NO.	QTY.	DESCRIPTION
15	68969	1	Flange Yoke
16	64828	1	Bushing
17	86589	1	Hub
18	90938	1	Tapered Pin Kit
19	64650	1	Inner Plate
20	64649	1	Pressure Plate
21	44155	8	Capscrew M10 x 1.5 x 85
22	92429	1	Half Shaft
23	92909	1	Half Shaft
24	92910	1	Safety Guard
25	78786	1	Danger Decal
26	78608	1	Danger Decal
27	44154	8	Locknut M10 x 1.5
28	67303	1	Torque Limiter Kit



**50034245 DRIVESHAFT ASSEMBLY
WITH SLIP CLUTCH
1-3/8" – 6 Spline, 540 RPM, Mfd. by Binacchi**

REF. NO.	PART NO.	QTY.	DESCRIPTION
1	50035281	1	Front Half, Complete
2	50035282	1	Rear Half, Complete
3	50035260	1	Complete Collar Yoke
4	50035261	1	Ball Collar Kit
5	64694	2	Cross Bearing Kit
6	63956	2	Grease Fitting
7	78571	1	Yoke, Outer Tube
8	78577	1	Flexible Pin
9	80364	1	Outer Tube
10	78786	1	Danger Decal
11	86667	1	Torque Limiter
12	44155	8	Capscrew M10 x 1.5 x 85
13	44154	8	Locknut M10 x 1.5
14	64649	1	Pressure Plate
15	64650	1	Inner Plate
16	67303	1	Torque Limiter Kit

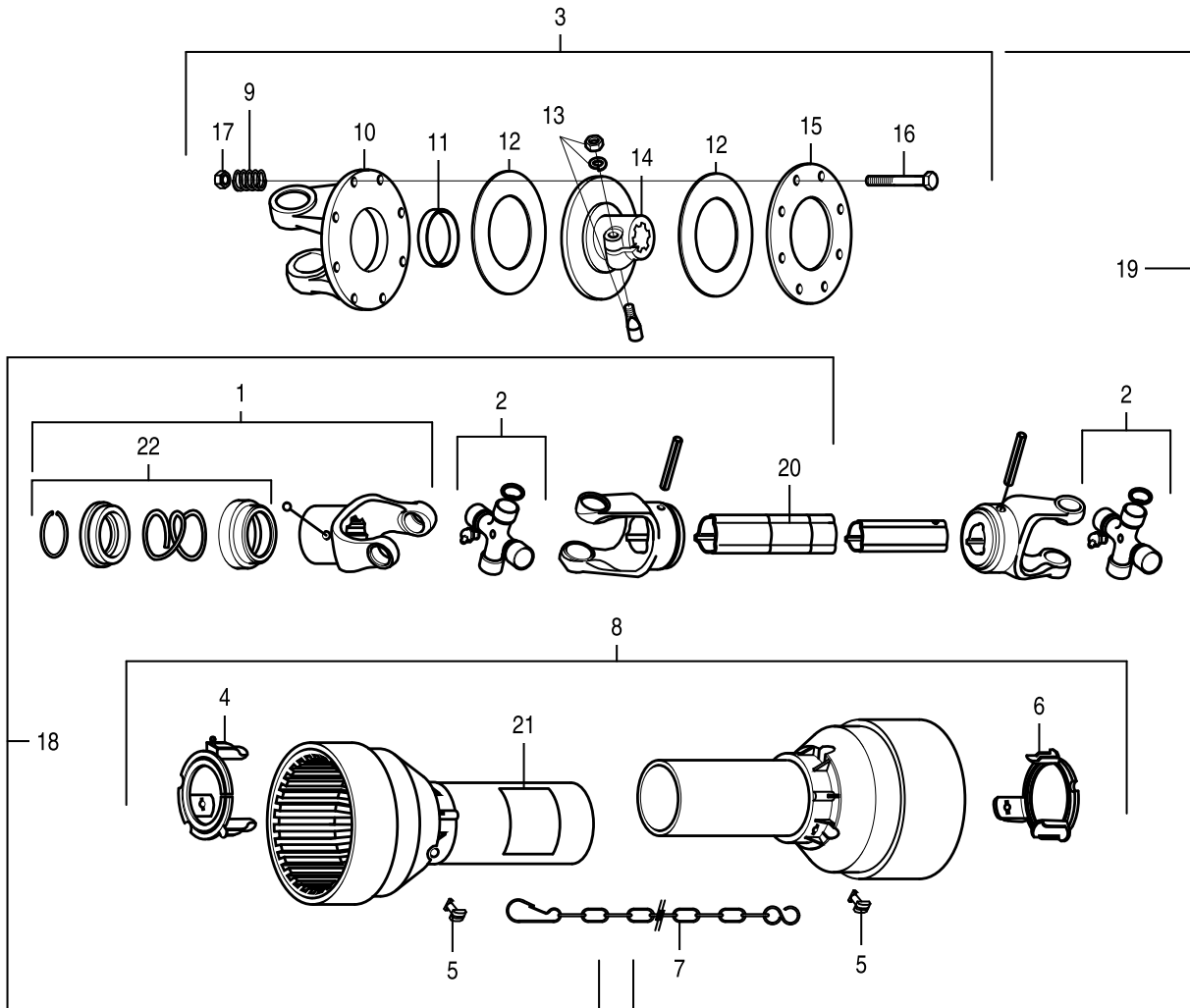
REF. NO.	PART NO.	QTY.	DESCRIPTION
17	91561	1	Lining
18	90938	1	Pivot Assy.
	—	1	Flatwasher M12
	—	1	Hex Nut M12 x 1.75
19	64828	1	Bushing
20	68969	1	Flange
21	78570	1	Yoke, Inner Tube
22	80363	1	Inner Tube
23	78578	1	Flexible Pin
24	50035283	1	Shield Assembly
25	90008	1	Shield Bearing, Outer Shield
26	50042832	1	Shield Bearing, Inner Shield
27	78608	1	Danger Decal
28	64814	2	Safety Chain
29	64657	8	Spring
30	86589	1	Hub



**50034278 DRIVESHAFT ASSEMBLY
WITH SHEAR BOLT
540 RPM, 1-3/8" – 6 spline, Mfd. by Binacchi**

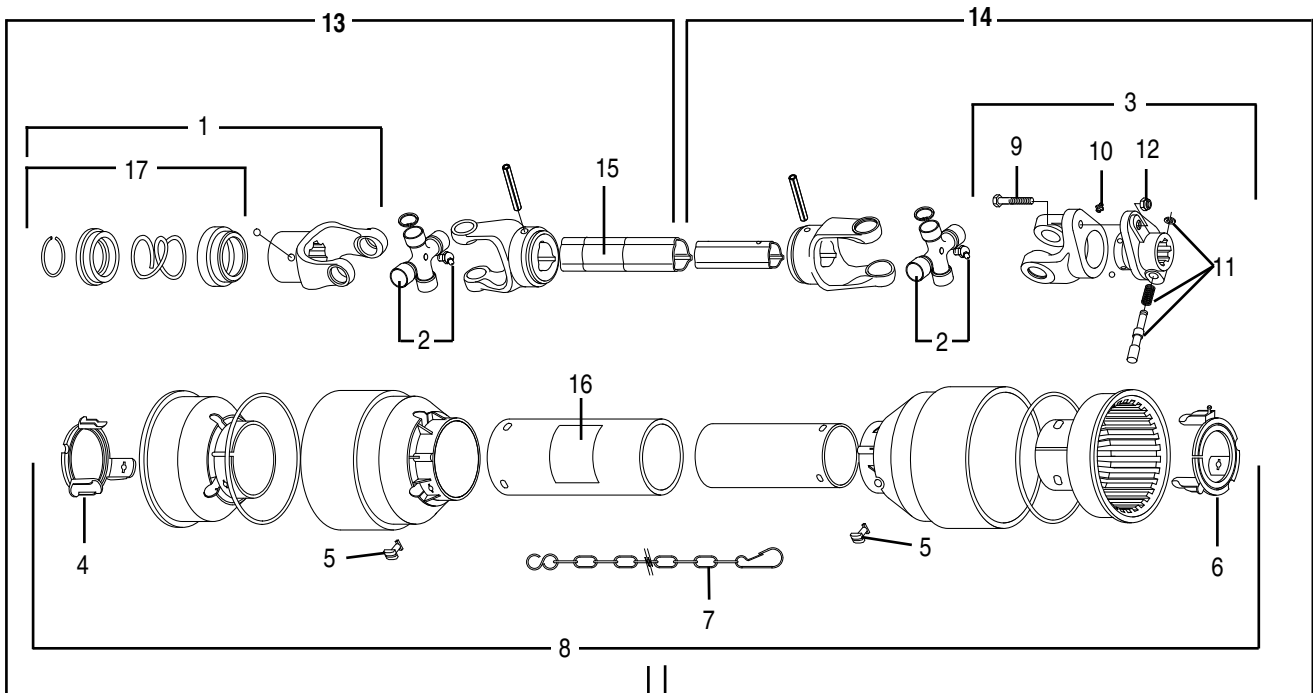
REF. NO.	PART NO.	QTY.	DESCRIPTION
1	50035260	1	Complete Collar Yoke
2	64694	2	Cross Journal Set
3	63956	2	Grease Nipple
4	78571	1	Outer Tube Yoke
5	78577	1	Flexible Pin
6	82853	1	Outer Tube
7	82854	1	Inner Tube
8	78578	1	Flexible Pin
9	78570	1	Inner Tube Yoke
10	90008	1	Outer Bearing
11	50042832	1	Inner Bearing
12	64814	2	Chain
13	50035261	1	Ball Collar Kit

REF. NO.	PART NO.	QTY.	DESCRIPTION
14	50035265	1	Half Shaft, Outer
15	50035266	1	Half Shaft, Inner
16	50035267	1	Safety Guard
17	78786	1	Danger Decal
18	78608	1	Danger Decal
19	69439	1	Grease Fitting
20	50035294	1	Torque Limiter
21	69440	1	Yoke
22	65291	1	Push Pin Kit
23	69438	1	Hub w/ Push Pin Kit
24	44883	1	Capscrew M8 x 1.25 x 45
25	44185	1	Locknut M8
26	65224	1	Ball



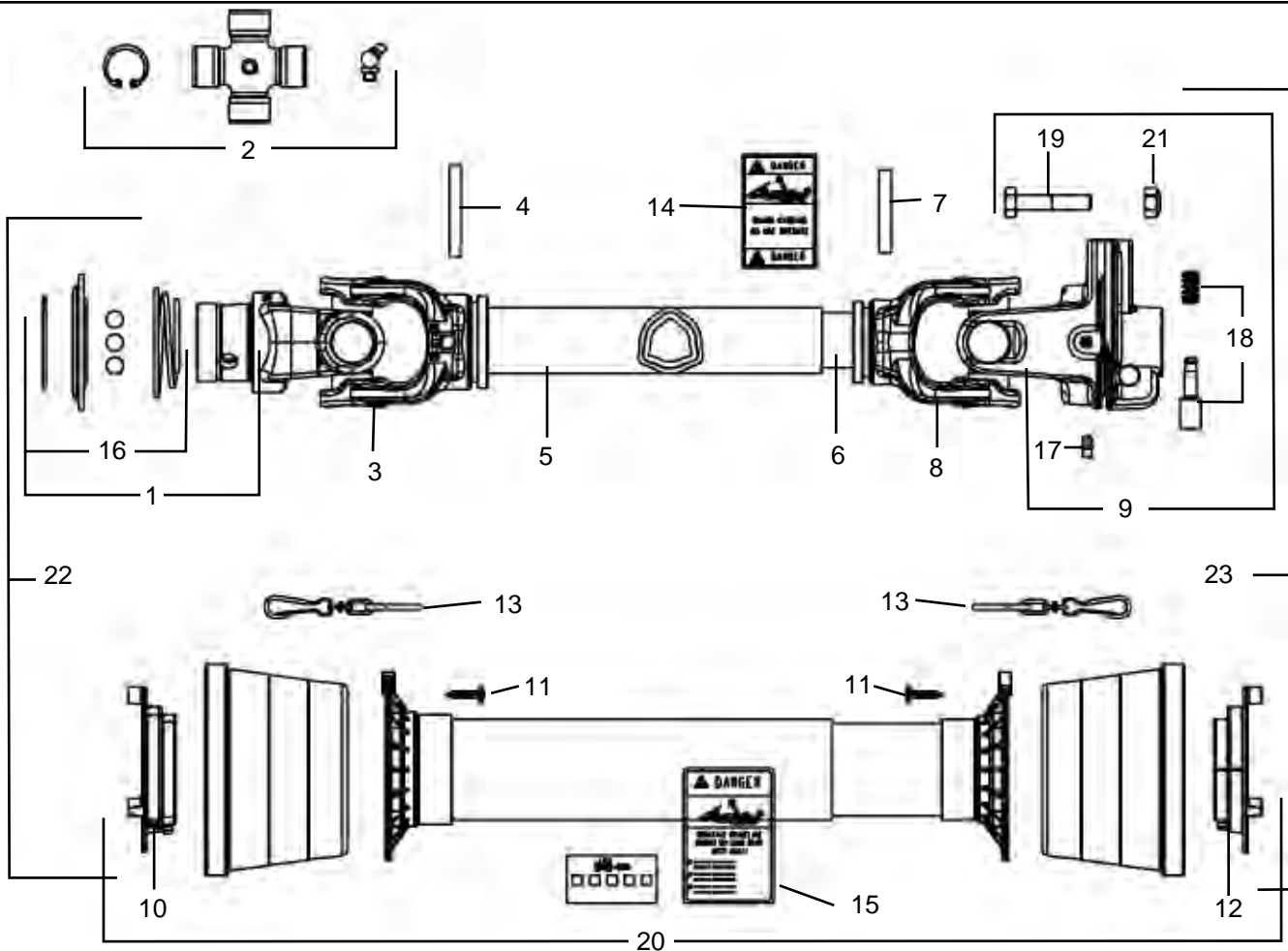
**50053128SP DRIVESHAFT ASSEMBLY
WITH SLIP CLUTCH**
540 RPM, 1-3/8" – 6 spline, Mfd. by Comer

REF. NO.	PART NO.	QTY.	DESCRIPTION	REF. NO.	PART NO.	QTY.	DESCRIPTION
1	76711	1	Complete Collar Yoke	12	76194	2	Lining Ring
2	64694	2	Cross Journal Set	13	76064	1	Tapered Pin Set 1-3/8"
3	76152	1	Complete Disc Clutch	14	76161	1	Clutch Support
4	50053143	1	Guard Retaining Collar, Outer Tube	15	76196	1	Pressure Plate
5	50050289	6	Bolt	16	44300BH	8	Capscrew M10 x 1.25 x 80 G8.8
6	50053144	1	Guard Retaining Collar, Inner Tube	17	44298BH	8	Hex Nut M10
7	64814	2	Safety Chain	18	50053167	1	Half Female Shaft w/ Shield
8	50053166	1	Complete Guard w/ Manual	19	50053168	1	Half Male Shaft w/ Shield
9	76080	8	Spring	20	78786	1	Danger Decal, Outer Tube
10	76159	1	Flanged Yoke	21	78608	1	Danger Decal, Outer Shield
11	76195	1	Bushing	22	50017480	1	Collar Kit 1-3/8"



**50053124SP DRIVESHAFT ASSEMBLY
WITH SHEAR BOLT
540 RPM, 1-3/8" 6 Spline, Mfd. by Comer**

REF. NO.	PART NO.	QTY.	DESCRIPTION
1	76711	1	Complete Collar Yoke
2	64694	2	Cross Journal Set
3	76151	1	Complete Shear Bolt
4	50053143	1	Guard Retaining Collar
5	50050289	6	Bolt
6	50053144	1	Guard Retaining Collar, Inner Tube
7	64814	2	Safety Chain
8	50053155	1	Complete Guard w/ Manual
9	44192BH	1	Capscrew M8 x 1.25 x 50 G8.8
10	63946	1	Grease Fitting
11	76062	1	Push Pin Set 1-3/8"
12	44306BH	1	Hex Nut M8
13	50053156	1	Half Female Shaft w/ Shield
14	50053157	1	Half Male Shaft w/ Shield
15	78786	1	Danger Decal, Outer Tube
16	78608	1	Danger Decal, Outer Shield
17	50017480	1	Collar Kit, 1-3/8"



50063618SP DRIVESHAFT ASSY.

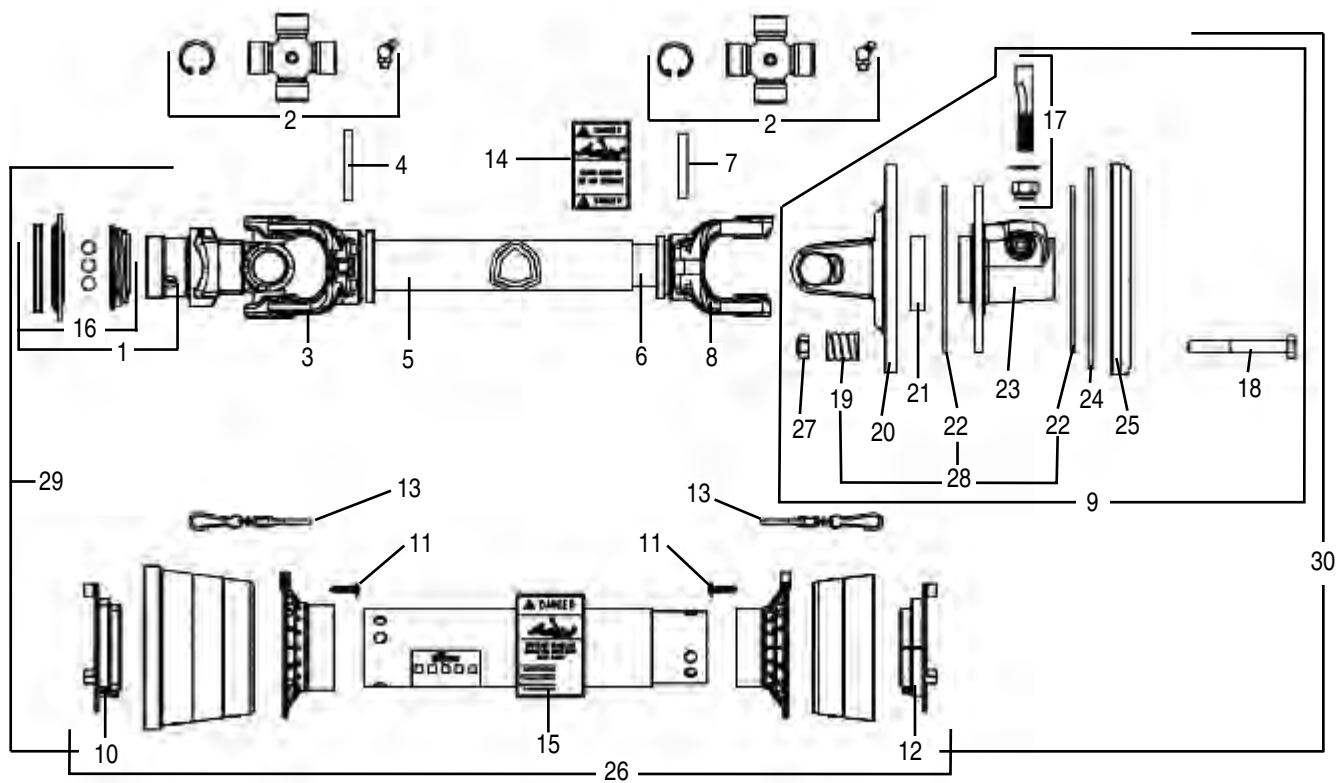
Used On :RTS Tillers

Mfd. by Bondioli & Pavesi

B & P Size 4 - ASAE Size 3

540 RPM

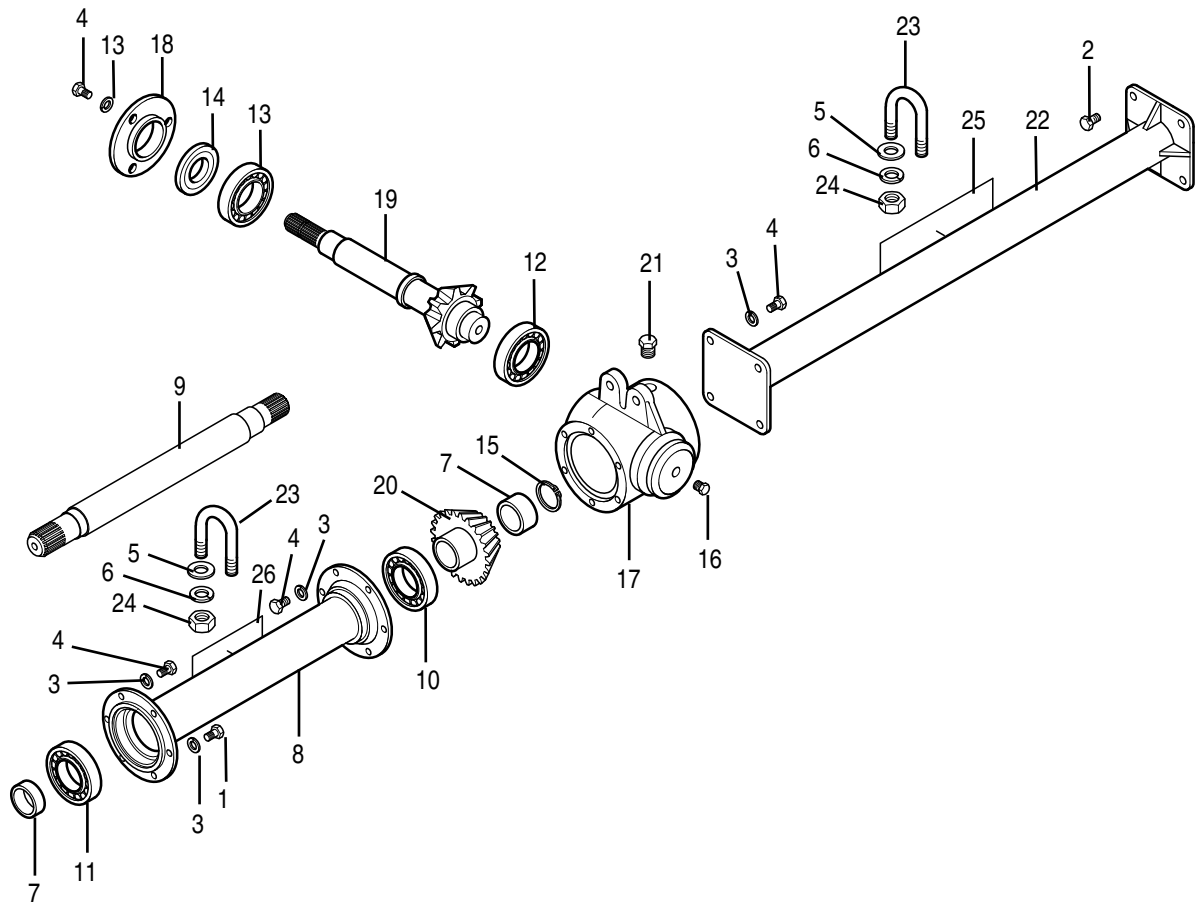
REF. NO.	PART NO.	QTY.	DESCRIPTION
1	50064902	1	Complete Collar Yoke
2	64694	2	Cross Bearing Kit
3	78571	1	Yoke for Outer Tube
4	78577	1	Roll Pin, Outer Tube
5	50064934	1	Outer Tube
6	50064935	1	Inner Tube
7	78578	1	Roll Pin, Inner Tube
8	78570	1	Yoke for Inner Tube
9	50064921	1	Shear Bolt Yoke Assy.
10	50064911	1	Outer Shield Bearing
11	71404	6	Self Tapping Screw
12	50064912	1	Inner Shield Bearing
13	50064890	2	Chain, Shield
14	78786	1	Danger Decal, Outer Tube
15	78608	1	Danger Decal, Outer Shield Tube
16	50064645	1	Ball Collar Repair Kit
17	63946	1	Grease Fitting
18	63945	1	Q.D. Pin Kit
19	44247	1	Cap screw M10 x 1.5 x 50 Gr.8.8
20	50064943	1	Shield Kit Complete
21	44154	1	Locknut, M10 x 1.5
22	50064937	1	Half Shaft (Female) w/Shield
23	50067487	1	Half Shaft (Male) w/Shield



50063615SP DRIVESHAFT ASSY.

**Used On : RTS Tillers
Mfd. by Bondioli & Pavesi
B & P Size 4 - ASAE Size 3
540 RPM**

REF. NO.	PART NO.	QTY.	DESCRIPTION
1	50064902	1	Complete Collar Yoke
2	64694	2	Cross Bearing Kit
3	78571	1	Yoke for Outer Tube
4	78577	1	Roll Pin, Outer Tube
5	50064934	1	Outer Tube
6	50064935	1	Inner Tube
7	78578	1	Roll Pin, Inner Tube
8	78570	1	Yoke for Inner Tube
9	N/A	1	Order Complete Driveshaft Assembly
10	50064911	1	Outer Shield Bearing
11	71404	6	Self Tapping Screw
12	50064912	1	Inner Shield Bearing
13	50064890	2	Chain, Shield
14	78786	1	Danger Decal, Outer Tube
15	78608	1	Danger Decal, Outer Shield Tube
16	50064645	1	Ball Collar Repair Kit
17	50064192	1	Taper Pin Kit
18	44155	8	Capscrew M10 x 1.5 x 85 Gr. 8.8
19	64657	8	Spring
20	50064173	1	Flange Yoke
21	64828	1	Bushing #4 Clutch
22	50042344	2	Lining, 77 x 141 x 3.2MM
23	N/A	1	Order Complete Driveshaft Assembly
24	50063437	1	Inner Plate
25	64649	1	Pressure Plate
26	50064939	1	Shield Assy. Complete
27	44154	8	Locknut, M10 x 1.5
28	50065270	1	Torque Limiter Repair Kit
29	50064937	1	Half Shaft (Female) w/Shield
30	50064938	1	Half Shaft (Male) w/Shield



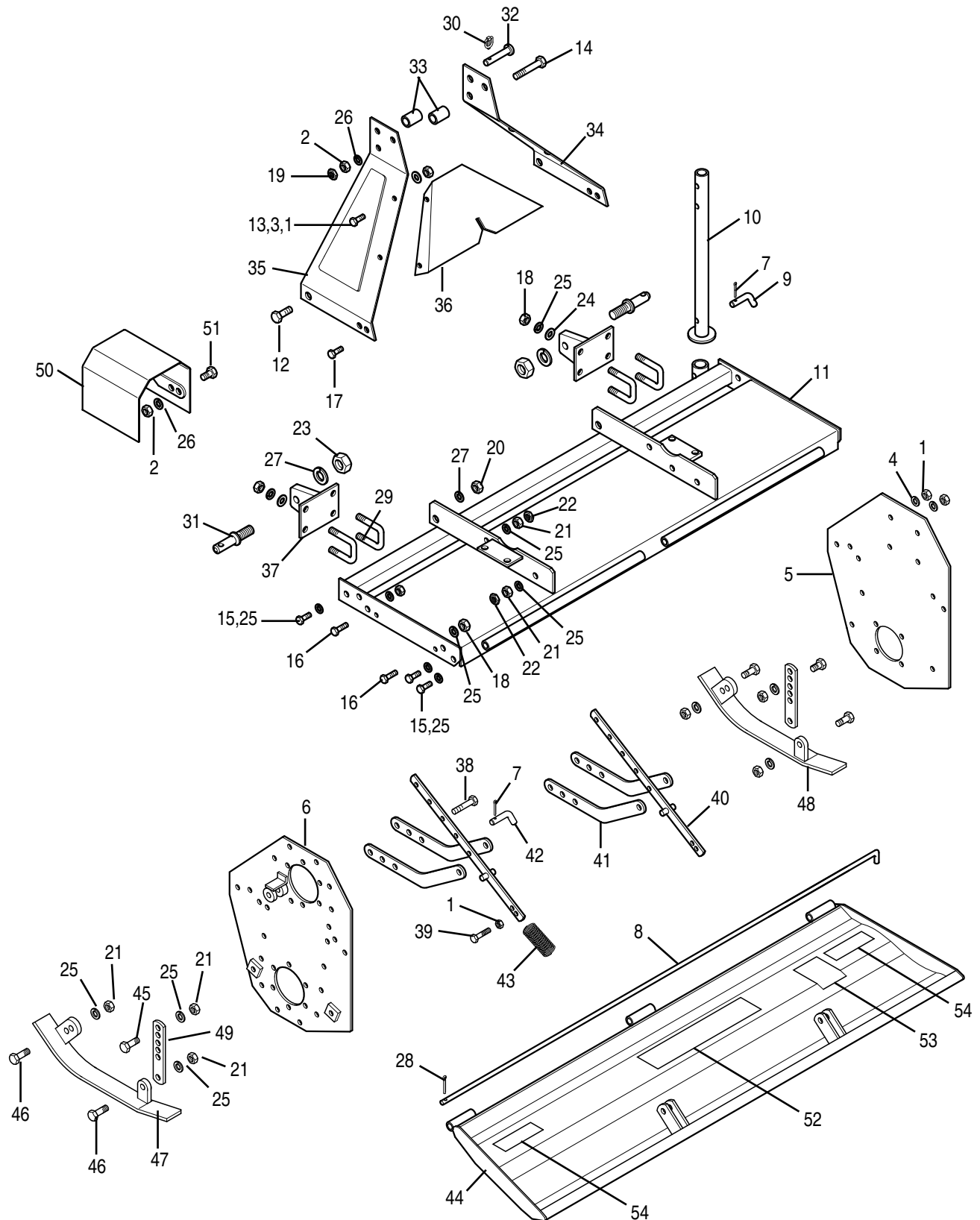
**RTN60, RTN72, RTN80
GEARBOX & RELATED PARTS**
Mfd. by Maletti

REF. NO.	PART NO.	QTY.	DESCRIPTION	REF. NO.	PART NO.	QTY.	DESCRIPTION
1	44390	3	Capscrew, M10 x 20	12	64486	1	Bearing
2	44202	23	Capscrew, M10 x 30	13	70229	1	Bearing
3	44198	38	Lockwasher, M10	14	64489	1	Oil Seal, 35 x 56 x 10
4	44340	18	Capscrew, M10 x 25, Gr.8.8	15	64502	2	Circlip
5	44263	12	Flatwasher, M14	16	67944	1	Plug, 3/8"
6	44233	82	Lockwasher, M14 (RTN60)	17	64503	1	Gearbox Housing
	44233	98	Lockwasher, M14 (RTN72)	18	64490	1	PTO Front Cover
	44233	106	Lockwasher, M14 (RTN80)	19	94587	1	Sprocket
7	64493	2	Spacer	20	94588	1	Bevel Gear
8	94583	1	Shaft Support (RTN60)	21	64506	1	Plug
	94593	1	Shaft Support (RTN72)	22	94589	1	R.H. Upper Support
	94599	1	Shaft Support (RTN80)	23	94580	2	U-Bolt
9	94584	1	Lateral Shaft (RTN60)	24	66429	4	Locknut, M14 x 1.5
	94594	1	Lateral Shaft (RTN72)	25	12115	1	Bush Hog Decal
	94600	1	Lateral Shaft (RTN80)	26	93786	1	Model Decal, RTN60
10	94585	1	Bearing		93787	1	Model Decal, RTN72
11	94586	1	Bearing		93788	1	Model Decal, RTN80

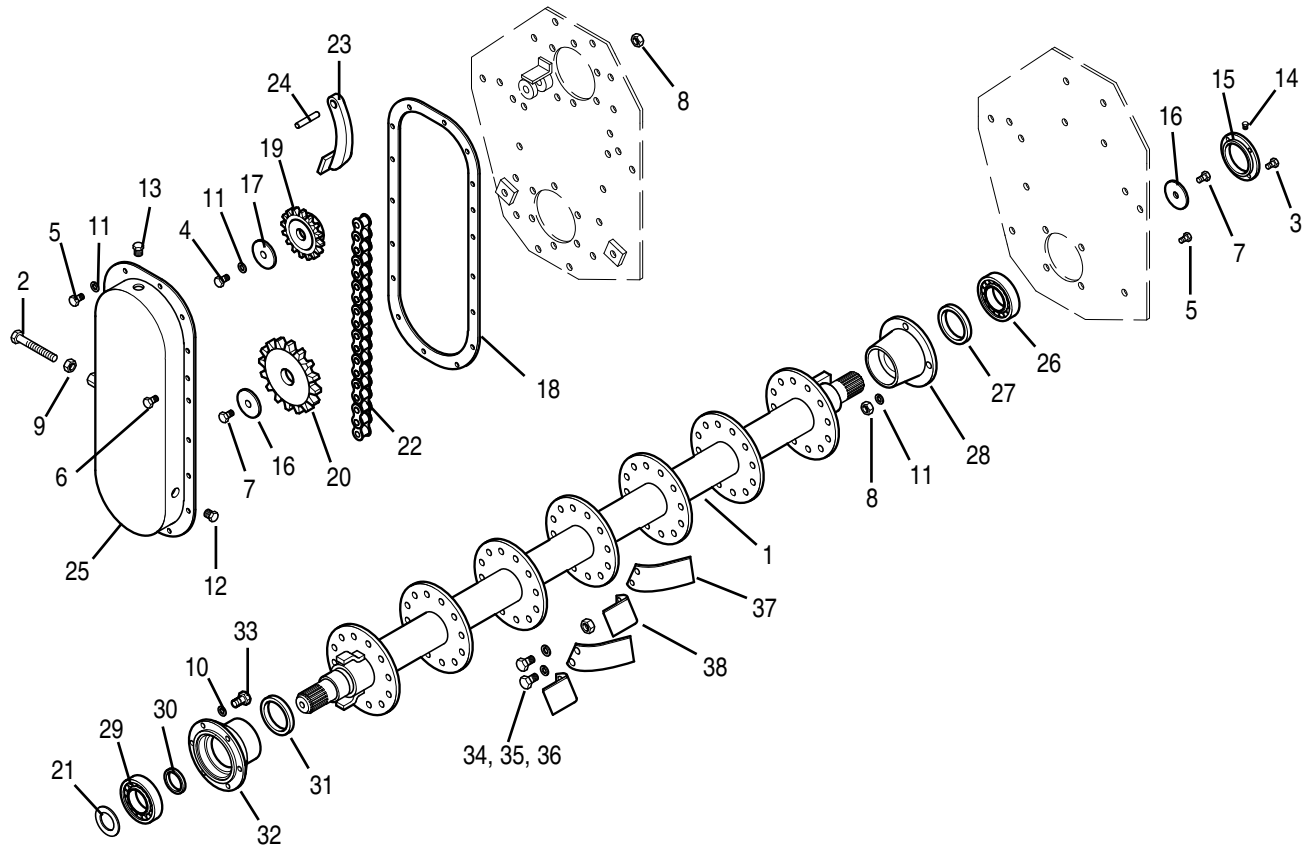
RTN60, RTN72, RTN80 FRAME & RELATED PARTS

REF. NO.	PART NO.	QTY.	DESCRIPTION	REF. NO.	PART NO.	QTY.	DESCRIPTION
1	44342	31	Hex Nut, M10 x 1.5	26	44099	3	Lockwasher, M16
2	44388	4	Hex Nut, M16 x 2	27	44395	2	Lockwasher, M22
3	—	13	Flatwasher, 3/8"	28	64461	1	Split Pin
4	44198	38	Lockwasher, M10	29	65783	4	U-Bolt, M14
5	94565	1	R.H. Side Frame	30	94572	1	Pin
6	94566	1	L. H. Side Frame	31	65792	2	Lift Hitch Pin
7	94534	3	Split Pin	32	94573	1	3rd Point Pin
8	65754	1	Rear Shield Pin (RTN60)	33	94531	2	Spacer
	65890	1	Rear Shield Pin (RTN72)	34	94574	1	R.H. Side Frame
	65827	1	Rear Shield Pin (RTN80)	35	94575	1	L.H. Side Frame
9	94556	1	Pin	36	94576	1	3rd Point Guard
10	94535	1	Stand	37	94577	2	Lower Hitch
11	94571	1	Frame (RTN60)	38	44377	4	Capscrew, M14 x 60
	94591	1	Frame (RTN72)	39	44196	2	Capscrew M10 x 1.5 x 45
	94597	1	Frame (RTN80)	40	94541	2	Shield Pin
12	44491	2	Capscrew, M22 x 50	41	94542	2	Bar Fastener
13	44340	18	Capscrew, M10 x 25	42	94578	2	Pin
14	44324	2	Capscrew, M16 x 110	43	94544	2	Spring
15	64492	6	Screw, M14 x 25	44	94579	1	Rear Shield (RTN60)
16	44253	4	Capscrew, M14 x 35		94592	1	Rear Shield (RTN72)
17	44490	2	Capscrew, M14 x 50		94598	1	Rear Shield (RTN80)
18	44392	12	Hex Nut, M14	45	44396	2	Capscrew, M14 x 40 (RTN60)
19	44389	2	Jam Nut, M16 x 2		44396	2	Capscrew, M14 x 40 (RTN72)
20	44494	2	Locknut, M22 x 2		44396	2	Capscrew, M14 x 40 (RTN80)
21	44234	66	Hex Nut, M14 x 1.5 (RTN60)	46	44495	4	Capscrew, M14 x 45
	44234	82	Hex Nut, M14 x 1.5 (RTN72)	47	65774	1	R.H. Skid
	44234	90	Hex Nut, M14 x 1.5 (RTN80)	48	65753	1	L.H. Skid
22	44493	6	Jam Nut, M14 x 1.5	49	86370	2	Skid Adjustment Bar
23	44492	2	Locknut, M22 x 1.5	50	94603	1	PTO Guard
24	44263	12	Flatwasher, M14	51	44326	1	Capscrew, M16 x 50
25	44233	82	Lockwasher, M14 (RTN60)	52	12119	1	Bush Hog Decal
	44233	98	Lockwasher, M14 (RTN72)	53	81067	1	Danger Decal
	44233	106	Lockwasher, M14 (RTN80)	54	50031213	2	Red Reflectors

RTN60, RTN72, RTN80 FRAME & RELATED PARTS

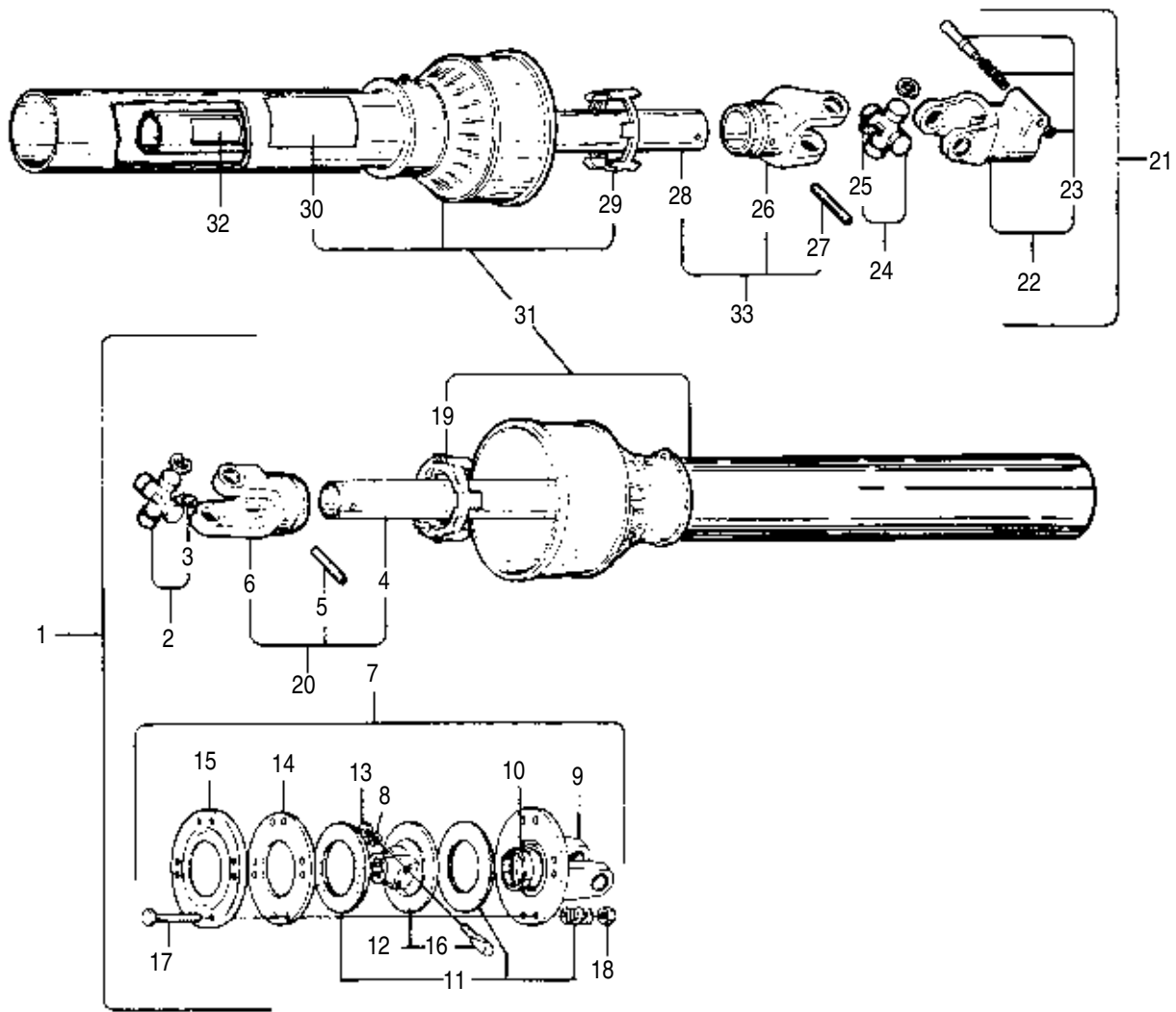


RTN60, RTN72, RTN80 ROTOR DRIVE & ROTOR ASSEMBLY



REF. NO.	PART NO.	QTY.	DESCRIPTION
1	94557	1	Rotor (RTN60)
	94590	1	Rotor (RTN72)
	94596	1	Rotor (RTN 80)
2	44415	1	Capscrew, M16 x 90
3	44312	4	Capscrew, M16 x 20
4	44390	3	Capscrew, M10 x 20
5	44202	23	Capscrew, M10 x 30
6	44489	2	Capscrew, M10 x 35
7	44391	2	Capscrew, M12 x 16
8	44342	29	Hex Nut, M10 x 1.5
9	44388	4	Hex Nut, M16 x 2
10	—	13	Flatwasher, 3/8"
11	44198	38	Lockwasher, M10
12	67944	2	Plug, 3/8"
13	68051	1	Oil Fill Plug
14	65777	1	Grease Nipple
15	65776	1	Rotor Cover R.H. Side
16	65738	2	Washer
17	94602	1	Washer
18	94558	1	Gasket
19	94559	1	Sprocket
20	94560	1	Sprocket
21	94561	1	Spacer
22	94562	1	Chain
23	94563	1	Chain Tightener

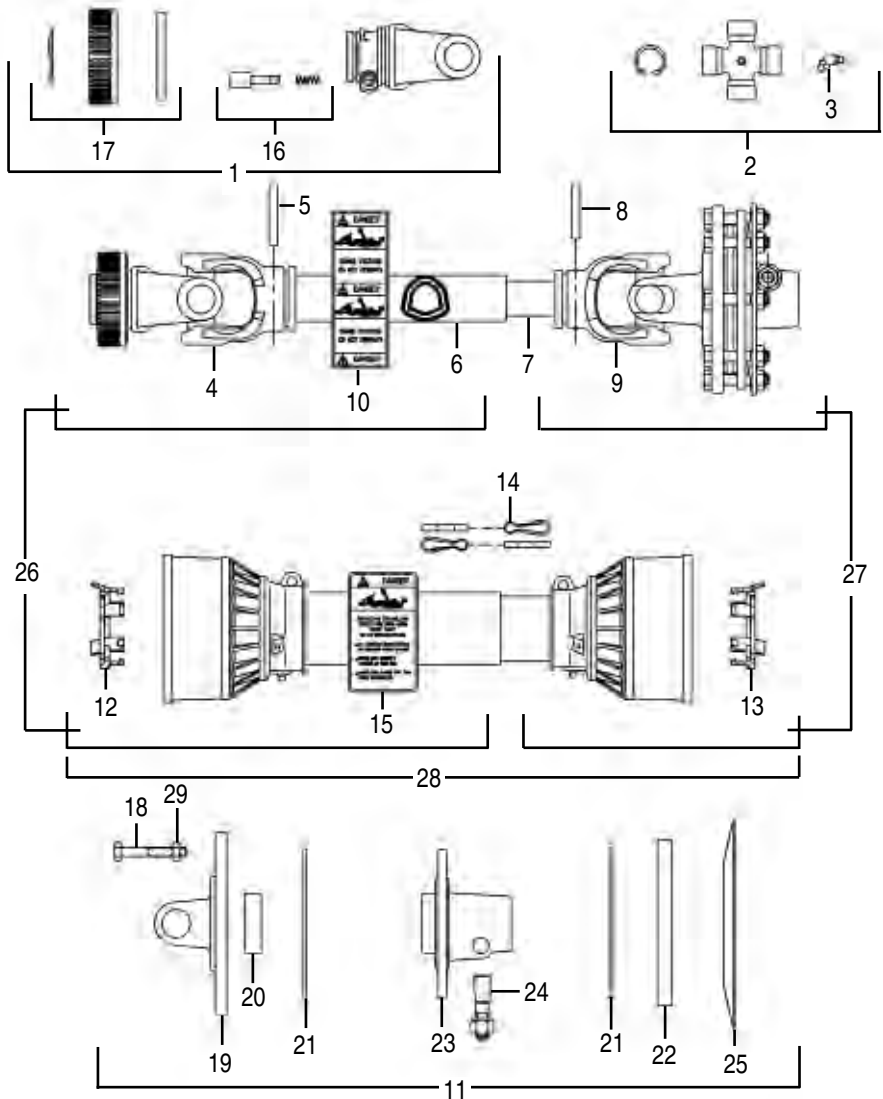
REF. NO.	PART NO.	QTY.	DESCRIPTION
24	94564	1	Pin
25	50032633	1	Cover
26	65770	1	Bearing
27	65769	1	Oil Seal
28	65768	1	Rotor Support
29	65740	1	Bearing
30	94568	1	Oil Seal
31	94569	1	Oil Seal
32	94570	1	Rotor Support, L.H.
33	44340	18	Capscrew M10 x 25
34	44234	66	Hex Nut, M14 x 1.5 (RTN60)
	44234	82	Hex Nut, M14 x 1.5 (RTN72)
	44234	90	Hex Nut, M14 x 1.5 (RTN80)
35	44233	82	Lockwasher, M14 (RTN60)
	44233	98	Lockwasher, M14 (RTN72)
	44233	106	Lockwasher, M14 (RTN80)
36	64466	56	Capscrew, M14 x 40 (RTN60)
	64466	72	Capscrew, M14 x 40 (RTN72)
	64466	80	Capscrew, M14 x 40 (RTN80)
37	94581	14	Speed Blade (RTN60)
	94581	18	Speed Blade (RTN72)
	94581	20	Speed Blade (RTN80)
38	94582	14	Speed Blade (RTN60)
	94582	18	Speed Blade (RTN72)
	94582	20	Speed Blade (RTN80)



86613 DRIVESHAFT ASSEMBLY
 Used on RTN60, RTN72, RTN80, RTNR60, RTNR72, RTNR80
 Replaced by 50042358 Driveshaft

REF. NO.	PART NO.	QTY.	DESCRIPTION
1	86645	1	Shielded Inner Half
2	64694	1	Cross Bearing Kit
3	63956	1	Grease Fitting
4	82792	1	Inner Tube
5	78578	1	Flexible Pin
6	78570	1	Yoke for Inner Tube
7	86667	1	Torque Limiter Assy.
8	44200	1	Lockwasher
9	68969	1	Flanged Yoke
10	64828	1	Collar Bearing
11	67303	1	Lining Kit
12	86638	1	Brake Lining Support w/Pivot
13	44244	1	Hex Nut M12 x 1.75
14	64650	1	Inner Plate
15	64649	1	Pressure Plate
16	83060	1	Pivot Assy. w/Nut & Washer
17	44155	8	Capscrew M10 x 1.5 x 85

REF. NO.	PART NO.	QTY.	DESCRIPTION
18	44154	8	Locknut M10 x 1.5
19	66117	1	Shield Bearing, Inner
20	N/A	1	Inner Yoke & Tube
21	82795	1	Outer Half Assembly
22	64692	1	Q.D. Yoke Assy.
23	63945	1	Q.D. Pin Kit
24	64694	1	Cross Bearing Kit
25	63956	1	Grease Fitting
26	78571	1	Yoke, Outer Tube
27	78577	1	Flexible Pin
28	82791	1	Outer Tube
29	66120	1	Outer Shield Bearing
30	78608	1	Safety Decal
31	82797	1	Safety Shield Assy.
32	78786	1	Danger Decal
33	N/A	1	Outer Yoke & Tube



50042358 DRIVESHAFT ASSEMBLY

1-3/8" – 6 Spline – 540 RPM

For RTN Rotary Tiller Models: RTN60, RTN72, RTN80, RTNR60, RTNR72, RTNR80
Replaces 86613 Driveshaft

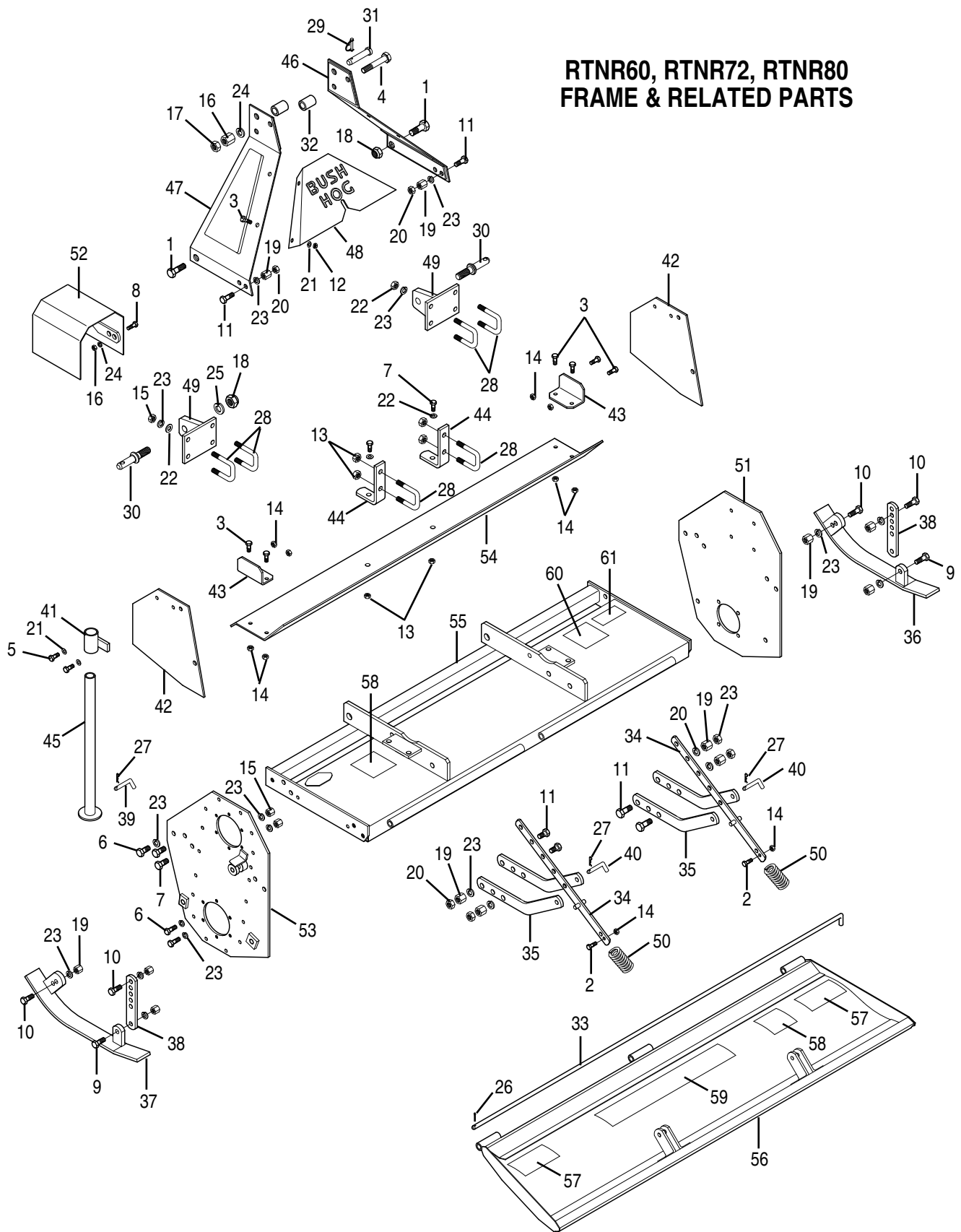
REF. NO.	PART NO.	QTY.	DESCRIPTION	REF. NO.	PART NO.	QTY.	DESCRIPTION
1	78579	1	Yoke	16	63945	1	Q.D. Pin Kit
2	64694	2	Cross Journal Assembly	17	50042366	1	Sleeve Kit
3	63956	2	Grease Nipple	18	44525	8	Screw M10 x 1.5 x 55
4	66865	1	Outer Tube Yoke	19	50042343	1	Flanged Yoke
5	78577	1	Flexible Pin	20	64828	1	Collar
6	50042340	1	Cm. Cardan Tube	21	50042344	2	Lining
7	50042341	1	Cm. Cardan Tube	22	50042345	1	Drive Plate
8	78578	1	Flexible Pin	23	50042346	1	Hub
9	78570	1	Inner Tube Yoke	24	90938	1	Tapered Pin Kit
10	78786	1	Danger Decal	25	50042347	1	Spring Plate
11	50042342	1	Torque Limiter	26	50042348	1	Outer Half Shaft
12	66120	1	Shield Support	27	50042349	1	Inner Half Shaft
13	66117	1	Shield Support	28	50042350	1	Complete Shield
14	64814	2	Complete Chain	29	44154	8	Lock Nut M10
15	78608	1	Danger Decal				

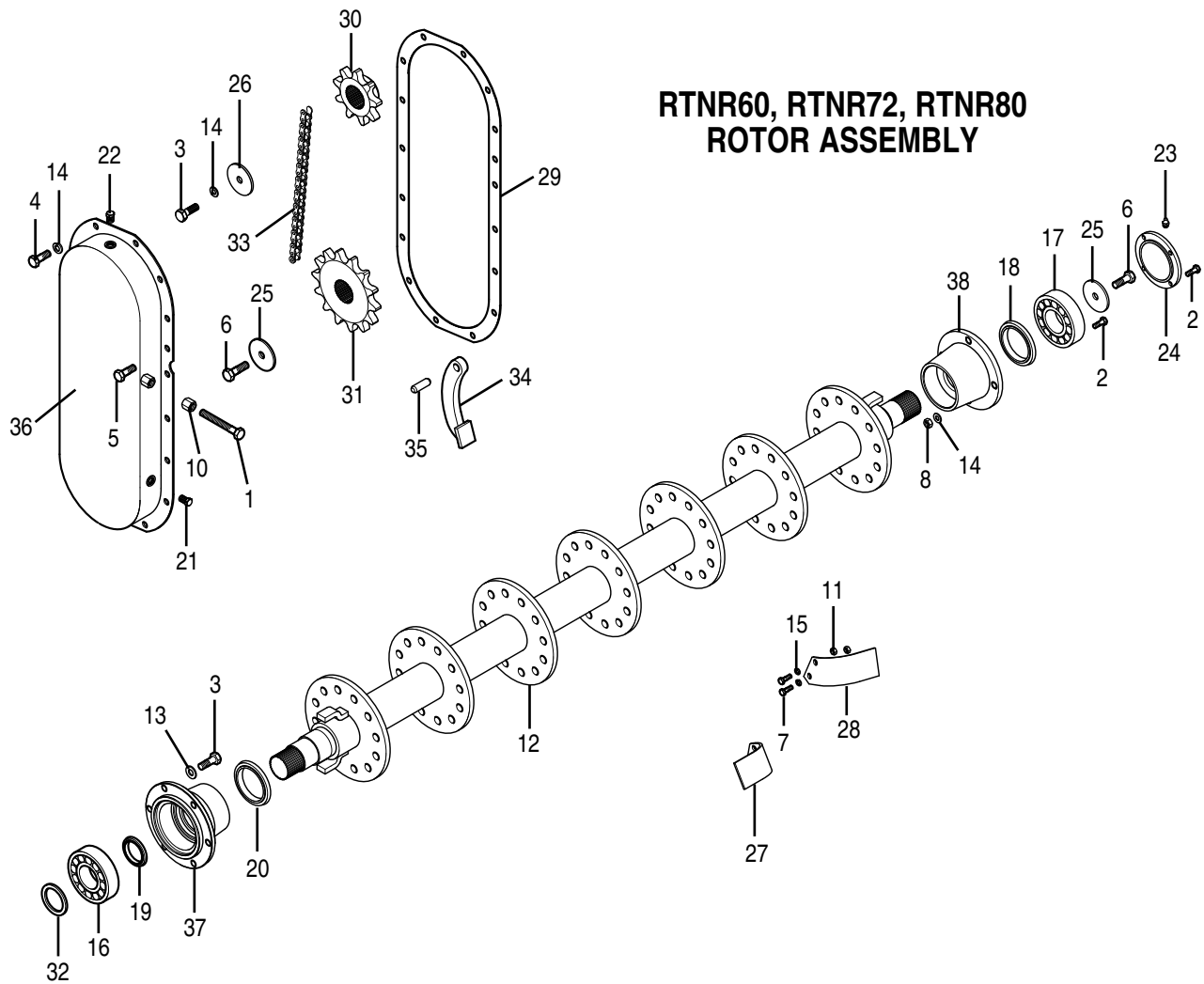
RTNR60, RTNR72, RTNR80 FRAME & RELATED PARTS

REF. NO.	PART NO.	QTY.	DESCRIPTION	REF. NO.	PART NO.	QTY.	DESCRIPTION
1	44491	2	Capscrew M22 x 1.5 x 50 G8.8	34	94541	2	Shield Regulation Rod
2	44535	2	Capscrew M10 x 1.5 x 40 G8.8	35	94542	4	Bar Fastener
3	44340	A/R	Capscrew M10 x 1.5 x 25 G8.8	36	65774	1	Skid, R.H.
4	44324	2	Capscrew M16 x 2 x 110 G8.8	37	65753	1	Skid, L.H.
5	44489	2	Capscrew M10 x 1.5 x 35 G8.8	38	86370	2	Skid Adjustment Rod
6	64492	6	Capscrew M14 x 2 x 25 G8.8	39	94556	1	Pin
7	44253	6	Capscrew M14 x 2 x G8.8	40	94578	2	Pin
8	44326	1	Capscrew M16 x 2 x 50 G8.8	41	50032653	1	Park Stand Holder
9	64466	A/R	Screw, Special M14 x 1.5 x 40	42	50044563	2	Side Plate Extension
10	44495	4	Capscrew M14 x 1.5 x 45 G8.8	43	50032651	2	Holder
11	44490	6	Capscrew M14 x 1.5 x 50 G8.8	44	50032654	2	Holder
12	44342	A/R	Hex Nut M10 x 1.5	45	94535	1	Stand
13	44818	6	Locknut M14 x 2	46	94574	1	R.H. Side Frame
14	44154	A/R	Locknut M10 x 1.5	47	94575	1	L.H. Side Frame
15	44392	12	Hex Nut M14 x 2	48	94576	1	3 Point Guard
16	44388	4	Hex Nut M16 x 2	49	94577	2	Lower Hitch
17	44389	2	Jam Nut M16 x 2	50	94544	2	Spring
18	44492	4	Locknut M22 x 1.5	51	94565	1	R.H. Side Plate
19	44234	A/R	Hex Nut M14 x 1.5	52	94603	1	PTO Guard
20	44493	6	Jam Nut M14 x 1.5	53	50032646	1	L.H. Side Plate
21	—	A/R	Flatwasher 3/8"	54	50044565	1	Front Guard, RTNR60
22	44263	A/R	Flatwasher M14		50044566	1	Front Guard, RTNR72
23	44233	A/R	Lockwasher M14		50044564	1	Front Guard, RTNR80
24	44099	3	Lockwasher M16	55	94571	1	Frame, RTNR 60
25	44395	2	Lockwasher M22		94591	1	Frame, RTNR 72
26	64461	1	Safety Pin		94597	1	Frame, RTNR 80
27	94534	4	Split Pin	56	94579	1	Rear Shield, RTNR60
28	65783	6	U-Bolt		94592	1	Rear Shield, RTNR72
29	50032642	1	Safety Pin		94598	1	Rear Shield, RTNR80
30	65792	2	Lower Hitch Pin Cat. I	57	50031213	2	Red Reflector
31	50032641	1	Pin	58	81067	2	Danger Decal
32	94531	2	Spacer	59	12119	1	Bush Hog Decal
33	65754	1	Pin, RTNR60	60	78413	1	Warning Decal
	65890	1	Pin, RTNR72	61	60873	1	Caution Decal, 540 RPM
	65827	1	Pin, RTNR80				

A/R – As Required

RTNR60, RTNR72, RTNR80 FRAME & RELATED PARTS





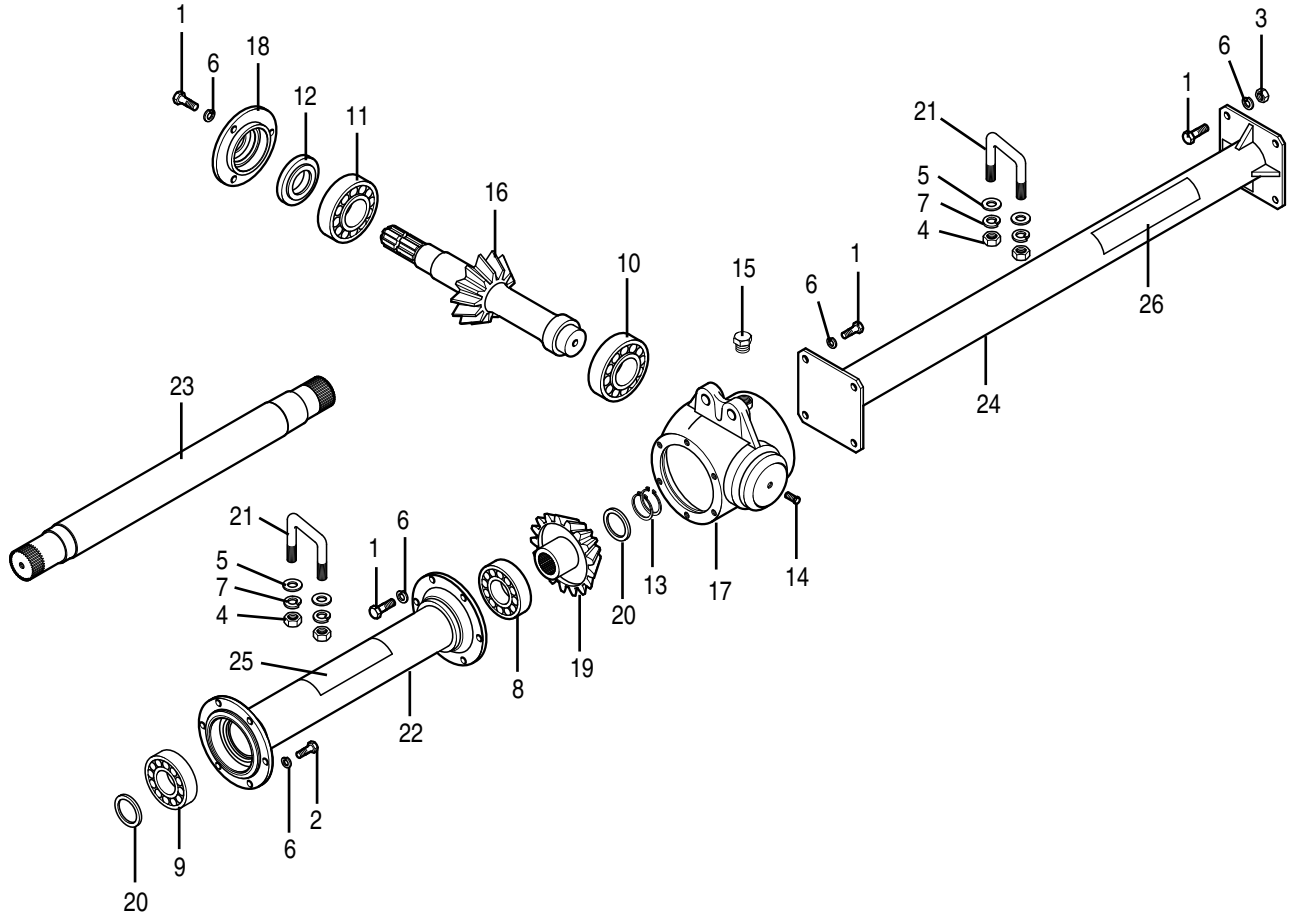
**RTNR60, RTNR72, RTNR80
ROTOR ASSEMBLY**

REF. NO.	PART NO.	QTY.	DESCRIPTION
1	44772	1	Capscrew M16 x 2 x 90 G10.9
2	44312	4	Capscrew M6 x 1 x 20 G8.8
3	44390	A/R	Capscrew M10 x 1.5 x 20 G8.8
4	44202	19	Capscrew M10 x 1.5 x 30 G8.8
5	44489	2	Capscrew M10 x 1.5 x 35 G8.8
6	44391	2	Capscrew M12 x 1.75 x 16 G8.8
7	64466	A/R	Screw, Special M14 x 1.5 x 40
8	44342	A/R	Hex Nut M10
9	44154	A/R	Locknut M10
10	44388	1	Hex Nut M16
11	44234	A/R	Hex Nut M14
12	94557	1	Rotor, RTNR60
	94590	1	Rotor, RTNR72
	94596	1	Rotor, RTNR80
13	—	A/R	Flatwasher 3/8"
14	44198	A/R	Lockwasher M10
15	44233	A/R	Lockwasher M14
16	65740	1	Bearing
17	65770	1	Bearing
18	65769	1	Oil Seal
19	94568	1	Oil Seal 55 x 72 x 8
20	94569	1	Oil Seal 55 x 80 x 10
21	67944	2	Plug

REF. NO.	PART NO.	QTY.	DESCRIPTION
22	50032637	1	Plug
23	65777	1	Grease Nipple
24	65776	1	Cover
25	65738	2	Washer
26	94602	1	Washer
27	94581	14	R.H. Speed Blade, RTNR60
	94581	18	R.H. Speed Blade, RTNR72
	94581	20	R.H. Speed Blade, RTNR80
28	94582	14	L.H. Speed Blade, RTNR60
	94582	18	L.H. Speed Blade, RTNR72
	94582	20	L.H. Speed Blade, RTNR80
29	94558	1	Gasket
30	94559	1	Sprocket, 9 Tooth
31	94560	1	Sprocket, 14 Tooth
32	94561	1	Spacer
33	94562	1	Chain
34	94563	1	Chain Tightener
35	94564	1	Pin
36	50032633	1	Chain Guard
37	50032638	1	L.H. Rotor Support
38	50032639	1	R.H. Rotor Support

A/R – As Required

RTNR60, RTNR72, RTNR80 GEARBOX ASSEMBLY



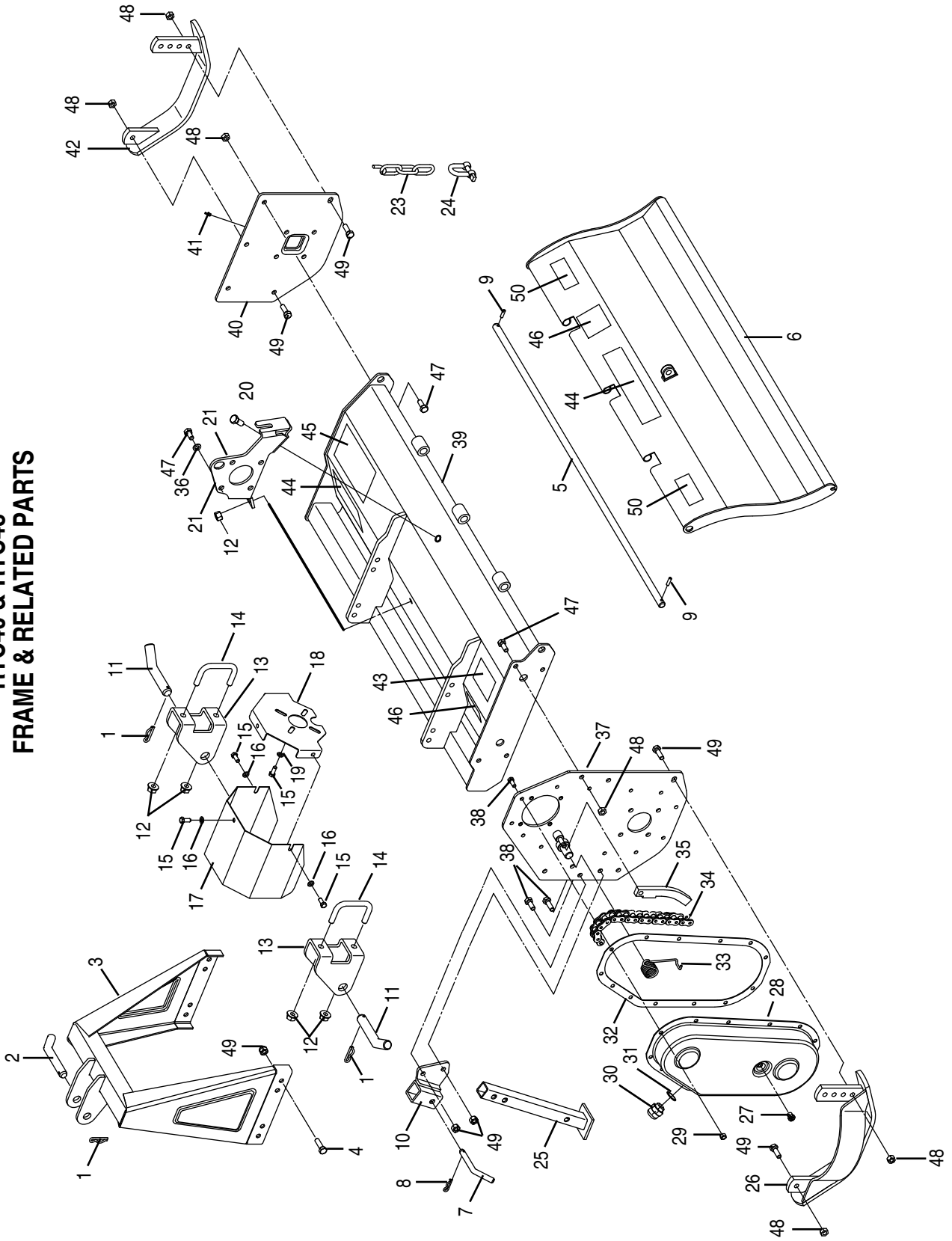
REF. NO.	PART NO.	QTY.	DESCRIPTION
1	44340	14	Capscrew M10 x 1.5 x 25
2	44390	6	Capscrew M10 x 1.5 x 20
3	44342	4	Hex Nut M10
4	66429	4	Nut M14
5	44263	1	Flatwasher M14
6	44198	20	Lockwasher M10
7	44233	4	Lockwasher M14
8	94585	1	Bearing, 6210 2 RS
9	94586	1	Bearing, 6210 1Z
10	64486	1	Bearing
11	70229	1	Bearing
12	64489	1	Oil Seal
13	64502	2	Lockring
14	67944	1	Plug
15	64506	1	Plug
16	50032631	1	Pinion Shaft
17	64503	1	Gearbox Case

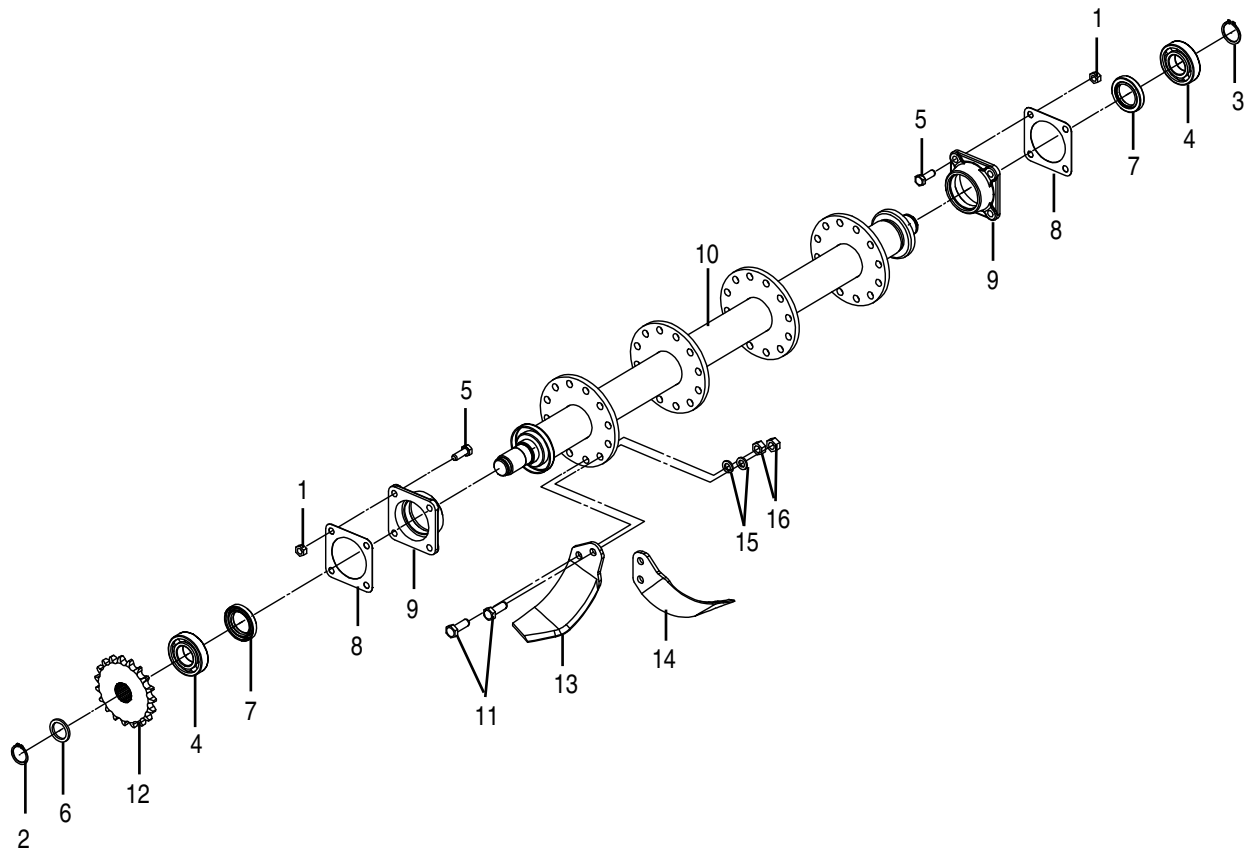
REF. NO.	PART NO.	QTY.	DESCRIPTION
18	64490	1	Cap
19	94588	1	Bevel Gear
20	64493	2	Spacer
21	94580	2	U-Bolt
22	94583	1	Shaft Support, RTNR60
	94593	1	Shaft Support, RTNR72
	50032632	1	Shaft Support, RTNR80
23	94584	1	Lateral Shaft, RTNR60
	94594	1	Lateral Shaft, RTNR72
	94600	1	Lateral Shaft, RTNR80
24	94589	1	R.H. Tube, RTNR60
	94595	1	R.H. Tube, RTNR72
	94601	1	R.H. Tube, RTNR80
25	12115	1	Bush Hog Decal
26	50032672	1	Model Decal, RTNR60
	50032673	1	Model Decal, RTNR72
	50032674	1	Model Decal, RTNR80

RTC40 & RTC48 FRAME & RELATED PARTS

REF. NO.	PART NO.	QTY.	DESCRIPTION	REF. NO.	PART NO.	QTY.	DESCRIPTION
	RTC40-03	1	40" JD Green Tiller, Economy	22	50031213	2	Red Reflector
	RTC40-05	1	40" Kub. Orange Tiller, Economy	23	50047520	1	Cover Chain
	RTC40-14	1	40" NH Blue Tiller, Economy	24	50047521	1	Hook
	RTC40-21	1	40" MF Red Tiller, Economy	25	50047530	1	Leg Stand Weldment
	RTC48-03	1	48" JD Green Tiller, Economy	25	50047530	1	Leg Stand Weldment
	RTC48-05	1	48" Kub. Orange Tiller, Economy	26	50047531	1	Left Skid Weldment
	RTC48-14	1	48" NH Blue Tiller, Economy	27	50047532	1	Oil Plug
	RTC48-21	1	48" MF Red Tiller, Economy	28	50047533	1	Drive Cover
1	04161086	3	Cotter Pin .178 x 3.56"	29	44862	13	Lock Nut M8, Flanged
2	50036020	1	Bent Pull Pin	30	50047535	1	Oil Plug
3	50047501	1	Bracket Weldment	31	44863	1	Washer, Aluminum M22
4	44489	8	Capscrew M10 x 1.5 x 35 G8.8	32	50047536	1	Drive Cover Gasket
5	50047502	1	Rear Shield Pin, RTC40	33	50047537	1	Chain Adjuster Spring
	50047553	1	Rear Shield Pin, RTC48	34	50047538	1	Chain, 46 Links (ASA 60HE)
6	50047503	1	Rear Shield Weldment, RTC40	35	50047539	1	Chain Adjuster
	50047554	1	Rear Shield Weldment, RTC48	36	44861	4	Schnorr Safety Washer M10
7	99108	1	Bent Pull Pin	37	50047540	1	Transmission Side Plate
8	50005861	1	Cotter Pin .12 x 2.38"	38	44315	13	Capscrew M8 x 1.25 x 20 G8.8
9	—	2	Roll Pin M6 x 20	39	50047541	1	Frame Weldment, RTC40
10	50047504	1	Leg Stand Support Weldment		50047557	1	Frame Weldment, RTC48
11	50032825	2	Bent Pull Pin .875"	40	50047542	1	External Plate
12	44858	5	Lock Nut M12, Flanged	41	50047543	1	Grease Nipple
13	50047505	2	Lower Hitch Clevis	42	50047544	1	Right Skid Weldment
14	50047506	2	U-Bolt M12	43	50042281	1	Caution Decal, 540 RPM
15	44316	7	Capscrew M8 x 1.25 x 16 G8.8	44	50058089	2	Bush Hog Decal
16	44859	3	Schnorr Safety Washer M8	45	78413	1	Warning Decal
17	50047507	1	PTO Guard	46	81067	2	Danger Decal
18	50047508	1	PTO Guard Support	47	44340	21	Capscrew M10 x 1.5 x 25" G8.8
19	44216	1	Flatwasher M8	48	44857	29	Lock Nut M10, Flanged
20	50047599	1	Capscrew M12 x 1.75 x 25 G8.8, Flanged	49	44202	12	Capscrew M10 x 1.5 x 30 Gr. 8.8
21	50047519	1	Gearbox Support	50	50031213	2	Red Reflector

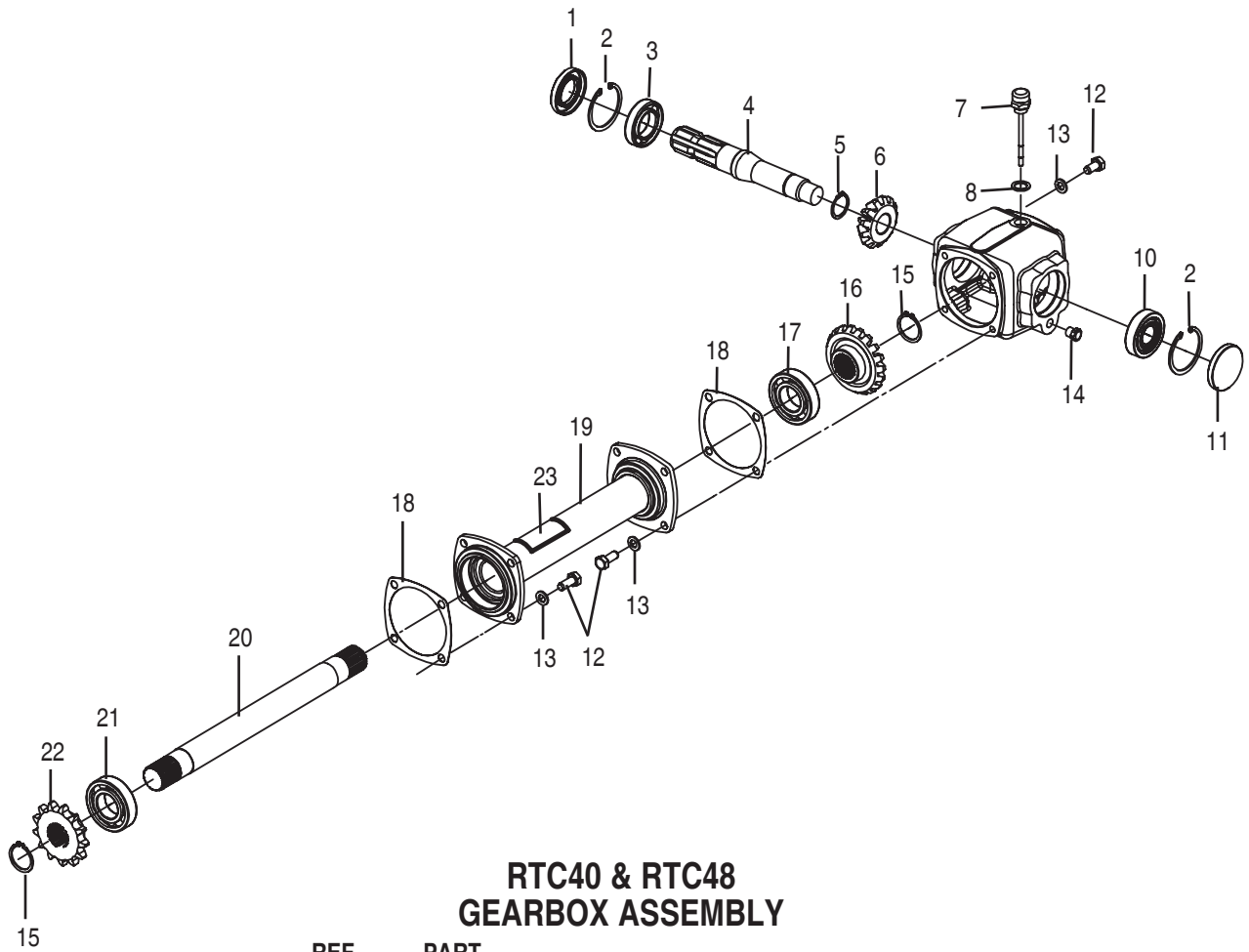
**RTC40 & RTC48
FRAME & RELATED PARTS**





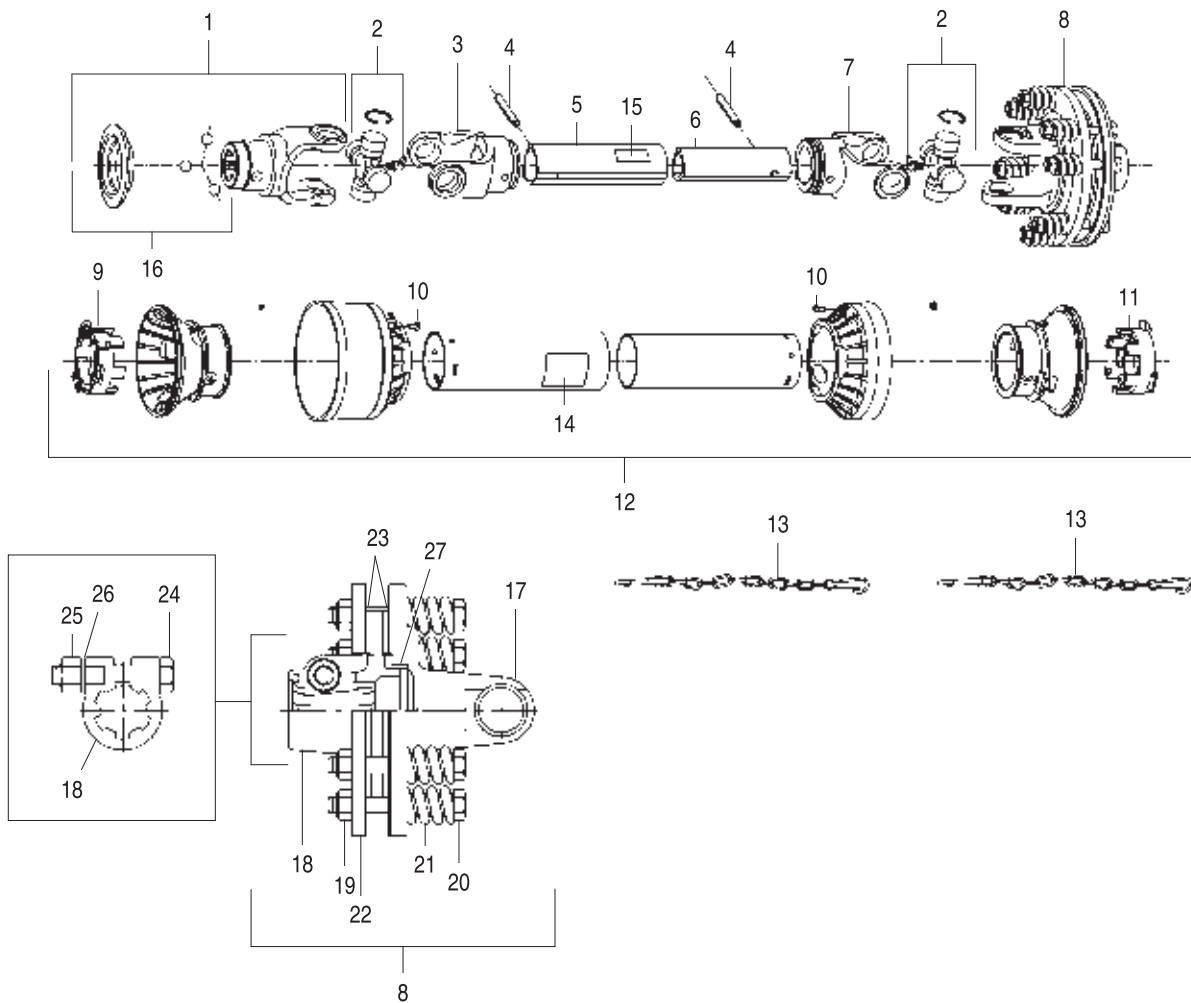
RTC40 & RTC48 ROTOR ASSEMBLY

REF. NO.	PART NO.	QTY.	DESCRIPTION
1	44857	29	Lock Nut M10, Flanged
2	50047513	2	Circlip, External 30mm
3	50047523	3	Circlip External, 35mm
4	70229	3	Bearing
5	44202	12	Capscrew M10 x 1.5 x 30 G8.8
6	50047534	1	Shim
7	50047545	2	Oil Seal
8	50047546	2	Bearing Support Gasket
9	50047547	2	Bearing Support
10	50047548	1	Rotor Weldment, 4 Flanges, RTC40
	50047558	1	Rotor Weldment, 5 Flanges, RTC48
11	44394	A/R	Capscrew M12 x 1.75 x 30 G8.8
12	50047549	1	Sprocket 19 Tooth
13	50047550	A/R	Left Curve Blade
14	50047551	A/R	Right Curve Blade
15	44200	A/R	Lockwasher M12
16	44244	A/R	Hex Nut M12



**RTC40 & RTC48
GEARBOX ASSEMBLY**

REF. NO.	PART NO.	QTY.	DESCRIPTION
1	50047509	1	Oil Seal
2	50047510	2	Circlip Internal
3	70129	1	Bearing
4	50047512	1	Input Shaft
5	50047513	2	Circlip External 30mm
6	50047514	1	Bevel Pinion Z13
7	50047515	1	Oil Plug
8	44867	1	Washer, Aluminum M16
9	50047516	1	Gearbox Housing
10	50047517	1	Bearing
11	50047518	1	Cover
12	44340	21	Capscrew M10 x 1.5 x 25 G8.8
13	44861	8	Schnorr Safety Washer M10
14	50047522	1	Oil Seal Plug M14
15	50047523	3	Circlip, External 35mm
16	50047524	1	Bevel Gear Z19
17	50047525	1	Bearing 6207
18	50047526	2	Gasket
19	50047527	1	Shaft Support, RTC40
	50047555	1	Shaft Support, RTC48
20	50047528	1	Transmission Shaft, RTC40
	50047556	1	Transmission Shaft, RTC48
21	70229	3	Bearing 6207
22	50047529	1	Driving Gear Z13
23	50046539	1	Model Decal, RTC40
	50046540	1	Model Decal, RTC48



**RTC40 & RTC48
50047552 DRIVESHAFT ASSEMBLY WITH CLUTCH
540 RPM, 1-3/8" – 6 Spline**

REF. NO.	PART NO.	QTY.	DESCRIPTION	REF. NO.	PART NO.	QTY.	DESCRIPTION
1	50047560	1	Yoke Assembly, Tractor End	14	78608	1	Danger Decal
2	64694	2	Cross Assembly	15	78786	1	Danger Decal
3	50047562	1	Outer Tube Yoke	16	50047561	1	Pull Collar Kit
4	50022678	2	Roll Pin	17	50047584	1	Flange with Yoke
5	50047563	1	Outer Tube	18	50047585	1	Hub, 1-3/8" Z6
6	50047564	1	Inner Tube	19	44154	8	Lock Nut M10
7	50022692	1	Inner Tube Yoke	20	44868	8	Capscrew M10 x 1.5 x 70 G8.8
8	50047565	1	Clutch, 2 Friction Disc	21	50047586	8	Spring
9	50022688	1	Tube Bearing, Outer Tube	22	50047587	1	Pressure Disc
10	50022669	2	Lock Pin	23	50047588	2	Friction Disc
11	50022689	1	Tube Bearing, Inner Tube	24	44902	1	Capscrew M12 x 1.25 x 65 G8.8
12	50047559	1	Safety Shield	25	44869	1	Hex Nut M12 x 1.25
13	50022673	2	Safety Chain	26	44200	1	Lockwasher M12
				27	50047589	1	Bushing